

## Owner's Manual

Model  
DF2550-EU

EN

RU

UA

FR

ES

IT

DE

PO












---

**IMPORTANT SAFETY INFORMATION:** Always read this manual first before attempting to install or use this fireplace. For your safety, always comply with all warnings and safety instructions contained in this manual to prevent personal injury or property damage.

7210730100R03



## Table of Contents

	Welcome & Congratulations . . . . .	3
	IMPORTANT INSTRUCTIONS. . . . .	4
	Quick Reference Guide . . . . .	6
	Site Selection and Preparation . . . . .	6
	Fireplace Installation . . . . .	7
	Operation . . . . .	10
	Maintenance. . . . .	13
	Replacement Parts . . . . .	15
	Warranty. . . . .	16

Always use a qualified technician or service agency to repair this fireplace.

**! NOTE:** Procedures and techniques that are considered important enough to emphasize.

**⚠ CAUTION:** Procedures and techniques which, if not carefully followed, will result in damage to the equipment.

**⚠ WARNING:** Procedures and techniques which, if not carefully followed, will expose the user to the risk of fire, serious injury, or death.

## Welcome & Congratulations

Thank you and congratulations for choosing to purchase an electric fireplace from Dimplex, the world leader in electric fireplaces.

**Please carefully read and save these instructions.**

**⚠ CAUTION:** Read all instructions and warnings carefully before starting installation. Failure to follow these instructions may result in a possible electric shock, fire hazard and will void the warranty.

Please record your model and serial numbers below for future reference: model and serial numbers can be found on the Model and Serial Number Label of your fireplace.



**NO NEED TO RETURN  
TO THE STORE**

**Questions With the Assembly?**

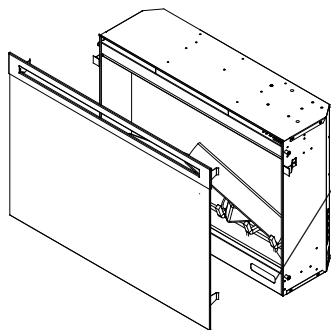
**Require Parts Information?**

**Product Under Manufacturer's  
Warranty?**



**Call your local dealer**

Please have your model number and product serial number ready. (See below)



Model Number

MODEL/CAT. No.	<input type="text"/>	MOD.	<input type="checkbox"/>
SERIAL No.	<input type="text"/>	<input type="text"/>	

Serial Number

# IMPORTANT INSTRUCTIONS

- ① Read all instructions before using the electric fireplace.
- ② The heater is hot when in use. To avoid burns, do not let bare skin touch hot surfaces. The trim around the heater outlet becomes hot during heater operation. Keep combustible materials, such as furniture, pillows, bedding, papers, clothes, and curtains at least 0.9 m from the front of the unit.
- ③ Extreme caution is necessary when any heater is used by or near children or invalids and whenever the unit is left operating and unattended.
- ④ Always unplug the electric fireplace when not in use.
- ⑤ Do not operate any unit with a damaged cord or plug, or if the heater has malfunctioned, or if the electric fireplace has been dropped or damaged in any manner. Return heater to authorized service facility for examination, electrical or mechanical adjustment, or repair.
- ⑥ Do not use outdoors.
- ⑦ The electric fireplace is not intended for use in bathrooms, laundry areas and similar indoor locations. Never locate heater where it may fall into a bathtub or other water container.
- ⑧ Do not run the cord under carpeting. Do not cover cord with throw rugs, runners, or the like. Arrange cord away from traffic area and where it will not be tripped over.
- ⑨ To disconnect the unit, turn the controls off, then remove the plug from the outlet.
- ⑩ Do not insert or allow foreign objects to enter any ventilation or exhaust opening as this may cause an electric shock or fire, or damage to the heater.
- ⑪ To prevent a possible fire, do not block air intake or exhaust in any manner. Do not use on soft surfaces, like a bed, where openings may become blocked.
- ⑫ All electrical heaters have hot and arcing or sparking parts inside. Do not use in areas where gasoline, paint, or flammable liquids are used or stored or where the unit will be exposed to flammable vapors.
- ⑬ Do not modify the electric fireplace. Use it only as described in this manual. Any other use not recommended by the manufacturer may cause fire, electric shock or injury to persons.
- ⑭ Avoid the use of an extension cord or power bar. Extension cords and power bars may overheat and cause a risk of fire. If you must use


# IMPORTANT INSTRUCTIONS

an extension cord or power bar, it must be 3-core type and rated no less than 10 Amps.


- ⑮ Do not burn wood or other materials in the electric fireplace.
- ⑯ Do not strike the fireplace glass.
- ⑰ Always use a certified electrician should new circuits or outlets be required.
- ⑱ Always use properly grounded and fused outlets.
- ⑲ Disconnect all power supply before performing any cleaning, maintenance or relocation of the unit.
- ⑳ When transporting or storing the unit and cord, keep in a dry place,

free from excessive vibration and store so as to avoid damage.

- ㉑ This appliance is not intended for use by persons (including children) with reduced physical, sensory or mental capabilities, or lack of experience and knowledge, unless they have been given supervision or instruction concerning use of the appliance by a person responsible for their safety.
- ㉒ Children should be supervised to ensure that they do not play with the appliance.
- ㉓ If the supply cord is damaged, it must be replaced by the manufacturer, its service agent or similarly qualified persons in order to avoid a hazard.

 **WARNING:** In order to avoid over heating, do not cover heater.

---

The heater carries the Warning Symbol  indicating that it must not be covered.



**CAUTION**  
RISK OF ELECTRIC SHOCK  
DO NOT OPEN  
NO USER-SERVICEABLE PARTS INSIDE



## SAVE THESE INSTRUCTIONS



## Quick Reference Guide

① Prior to the first use of the fireplace verify the following:

- Are the circuit breakers for the unit on?
- Are the light bulbs in your fireplace loose? (To check, follow the instructions for replacing the light bulbs under the Maintenance section of this manual.)

② The heater on your fireplace may emit a slight, harmless odor when first used. This odor is a normal condition caused by the initial heating of internal heater parts and will not occur again.

③ The information regarding the model of your fireplace can be found on the rating plate located on the top of the unit.



## Site Selection and Preparation

**! NOTE 1:** A 10 Amp, 240 Volt circuit is required. A dedicated circuit is preferred but not essential in all cases. A dedicated circuit will be required if, after installation, the circuit breaker trips or fuse blows on a regular basis when the heater is operating. Additional appliances on the same circuit may exceed the current rating of the circuit breaker.

**⚠ WARNING:** Ensure the power cord is not installed so that it is pinched or against a sharp edge and ensure that the

power cord is stored or secured to avoid tripping or snagging to reduce the risk of fire, electric shock or injury to persons.

Construction and electrical outlet wiring must comply with local building codes and other applicable regulations to reduce the risk of fire, electric shock and injury to persons.

Do not attempt to wire your own new outlets or circuits. To reduce the risk of fire, electric shock or injury to persons, always use a licensed electrician.

## Site Selection and Preparation

This section provides instructions for selecting a location and preparing the site to install the fireplace into your Dimplex mantel surround.

- ① Select a suitable location that is not susceptible to moisture and is away from drapes, furniture and high traffic.
- ② For ease of electrical hook up you may wish to locate the fireplace near an existing outlet (refer to NOTE 1).

- ③ Store the fireplace in a safe dry and dust free location.

**! NOTE:** The dimensions of the fireplace are 661 mm wide x 480 mm high x 223 mm deep. The fireplace does not require any additional venting.

- ④ The heater must not be located immediately below a socket outlet.

## Fireplace Installation

- ① Install the fireplace assembly into the mantel (refer to mantel assembly instructions) and fix mantel according to mantel assembly instructions.

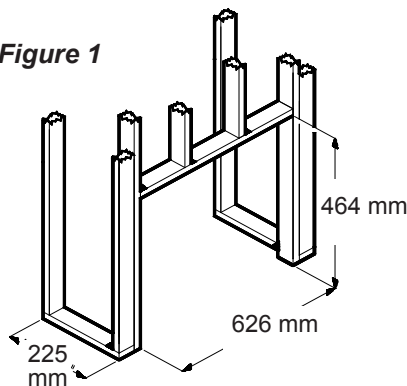
**! NOTE 1:** A 10 Amp, 240 Volt circuit is required. A dedicated circuit is preferred but not essential in all cases. A dedicated circuit will be required if, after installation, the circuit breaker trips or fuse blows on a regular basis when the heater is operating.

Additional appliances on the same circuit may exceed the current rating of the circuit breaker.

**! IMPORTANT:** If not using a Dimplex mantel, the fireplace must be installed in an enclosure with the following **minimum** internal/opening dimensions (Figure 1).

## Fireplace Installation

Figure 1



### New Wall Construction

- ① Select a suitable location that is not susceptible to moisture and is away from drapes, furniture and high traffic.
- ② Place the fireplace in the desired location to see how it will look in the room.
- ③ Mark the desired location on the floor and store the fireplace in a safe, dry and dust free location.
- ④ Use studs to frame an opening of 626 mm wide x 464 mm high x 225 mm deep.

**Option #1** - The power cord can be lead from behind the trim and along the wall to an outlet near the fireplace.

**Option #2** - A new outlet can be installed inside the new frame construction. Plug the unit into a 10 Amp, 240 Volt outlet. If the cord does not reach, you may use a 3-core type extension cord rated for a minimum of 10 Amps.

### Option #3 - Hardwire

① Wire a dedicated, properly fused circuit with 240 Volt, 10 Amp rating. Allow up to 2.4 m of service cable for connecting power supply to junction box on fireplace when installing after finishing wall.

**⚠ CAUTION:** Use two conductor, non-metallic sheath cable with ground wire (three (3) wires total) for the incoming power supply on fireplace inserts. Use appropriate wire to meet local and national electrical codes for rated power consumption.

Means for disconnection must be incorporated in the fixed wiring according to the rules.

② Remove the outer jacket and strip the individual conductor from

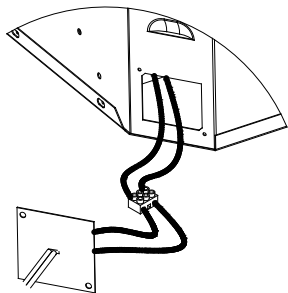


## Fireplace Installation

the end.

- Loosen the screw securing the junction box cover and remove the cover.
- Take the cables out from the junction box, loosen the terminal block and remove the cord set (Figure 2).
- Route the power supply wire through the knockout on supplied

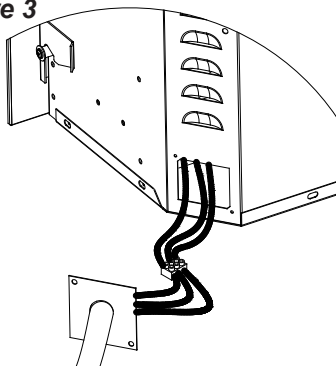
**Figure 2**



alternative junction box cover and secure with a wire clamp (not supplied) (Figure 3).

- Connect the live from the unit to the live from power supply (Figure 3).
- Connect the neutral from the unit to the neutral wire from power supply (Figure 3).

**Figure 3**



- Connect the green wire (ground) from the unit to the green wire from power supply (Figure 3).
- Place all connectors inside the unit and secure the junction box cover to unit. Ensure that the cable clamp grips only the jacket of service cable.

**⚠ CAUTION:** Clearance for air circulation beneath the fireplace insert is provided by two (2) rubber feet.

**Do not install the fireplace insert directly on carpet or similar surfaces which may restrict air circulation.**

If installing the fireplace in a carpeted area, place a one-

## Fireplace Installation

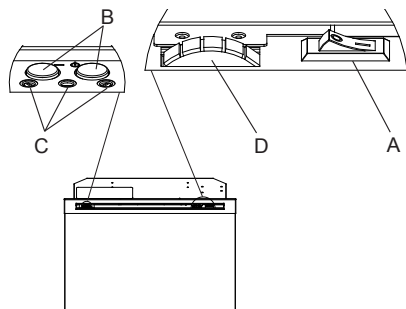
piece, solid, flat surface under the fireplace insert. Ensure that both of the insert's feet rest securely on this surface.

**! NOTE** Fix the unit with screws through the bottom panel under the log set. See Fig. 7

## Operation

### Electric Fireplace Manual Control

Figure 4



#### A. Main On/Off Switch

The Main On/Off Switch supplies power to all fireplace functions.

#### B. Manual Selection Buttons

The Manual Selection Buttons operate the fireplace's functions manually.

Once the fireplace is switched on, pressing the "1" button will advance through the fireplace's three levels of operation:

Level 1: The flame effect is turned on and the first indicator light illuminates.

Level 2: The flame effect remains on, the heater is activated to the low heat setting, and the first and second indicator light illuminate.

Level 3: The flame effect remains on, the heater is set to the high heat setting, and all three (3) indicator lights illuminate.

Pressing the "⏻" button at any time will turn off the fireplace.

#### C. Indicator Lights

The Indicator Lights will illuminate as the fireplace enters the various levels of function.

## Operation

### D. Heater Thermostat Control

To adjust the temperature to your individual requirements, turn the thermostat control upward all the way to turn on the heater. When the room reaches the desired temperature, turn the thermostat knob downward until you hear a click. Leave in this position to maintain the room temperature at this setting. For additional heat, turn upward until you hear the click again and the heater will turn on.

### Resetting the Temperature Cutoff Switch

Should the heater overheat, an automatic cut out will turn the fireplace off and it will not come back on without being reset. It can be reset by switching the Main On/Off Switch to Off (“O”) and waiting five (5) minutes before switching the unit back on.

**⚠ CAUTION:** If you need to continuously reset the heater, disconnect power and call customer service.

**⚠ CAUTION:** In order to avoid a hazard due to inadvertent resetting of the thermal cutout,

this appliance must not be supplied through an external switching device, such as a timer, or connected to a circuit that is regularly switched on and off by the utility.

### Remote Operation

The fireplace is supplied with a radio frequency remote control. This remote control has a range of approximately 15 m. It does not have to be pointed at the fireplace and can pass through most obstacles (including walls).

The remote is supplied with one of hundreds of independent frequencies to prevent interference with other units.

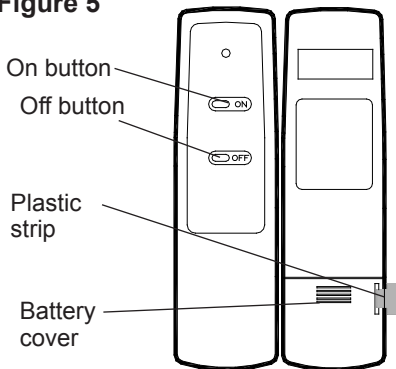
**! NOTE:** Before attempting any operation with the remote, pull the plastic insulator strip out from between the remote casing and battery cover (Figure 5).

### Remote Initialization

Should your remote have difficulty communicating with the remote receiver, or should either the remote or receiver board be

## Operation

**Figure 5**



replaced, you may need to initialize the remote.

From a powered off state:

- ① Ensure power is supplied to the fireplace through the main service panel.
- ② Locate manual controls and activate Main On/Off Switch (Figure 4-A).
- ③ Press and hold the “I” button (Figure 4-B) until all indicator lights flash.
- ④ Press the ON button on the remote control. The indicator lights will flash rapidly then turn off.

### **Remote Control Usage**

The remote control operates the fireplace levels sequentially (from off): flames only; to flames and low heat; to flames and high heat.

The level is increased every time the ON button is pressed on the remote control transmitter and the fireplace can be turned off at any point by pressing the OFF button.

### **Battery Replacement (Figure 5)**

To replace the battery:

- ① Slide battery cover open on the hand held transmitter.
- ② Install one (1) 12 Volt (A23) battery in the battery holder.
- ③ Close the battery cover.



## Maintenance

### Light Bulb Replacement

Allow at least five (5) minutes for light bulbs to cool before touching bulbs to avoid accidental burning of skin.

Light bulbs need to be replaced when you notice a dark section of the flame or when the clarity and detail of the log ember bed exterior disappears. There are two (2) bulbs under the log set, which generate the flames and embers.

### Lower Light Bulb Requirements

Quantity of two (2) clear chandelier or candelabra bulbs with an E-14 (small) socket base, 60 Watt rating. Example: GE 60BC or Philips 60 CTC.

**Do not exceed 60 Watts per bulb.**

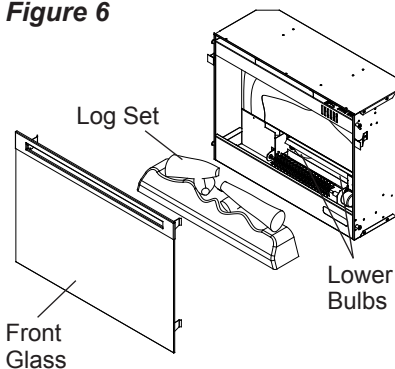
### Helpful Hints

It is a good idea to replace all light bulbs at one time if they are close to the end of their rated life. Group replacement will reduce the number of times you need to open the unit to replace light bulbs.

**To access the lower light bulb area:**

- ① Remove front glass assembly.
- ② Pull the front edge of the plastic ember bed or plastic grate up and forward until the rear tab releases from the ledge located at the bottom of the mirror (Figure 6).

**Figure 6**



**! IMPORTANT:** Only handle the log set by the ember bed.

**! NOTE:** Log set fits tightly into firebox, some force may be necessary to remove.

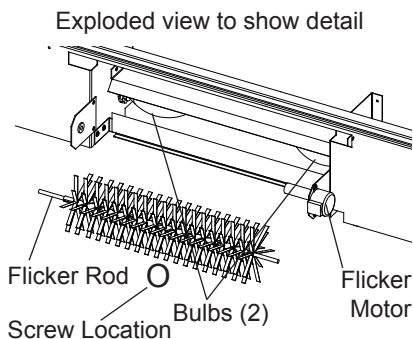
- ③ Set log set in front of fireplace.



## Maintenance

- ④ Gently pull the flicker rod to the right as far as possible into the rubber bushing on the flicker motor shaft (Figure 7).

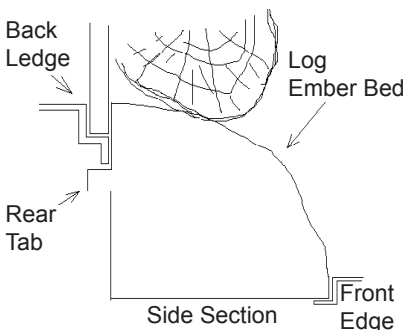
**Figure 7**



- ⑤ Unscrew bulbs counter clockwise.
- ⑥ Insert new bulbs.
- ⑦ Install the log set by placing the front, bottom edge of the ember bed in the track behind the front panel. Once in place, push down on the back edge of the ember bed until the rear tab snaps into place under the mirror (Figure 8).

**! NOTE:** Ensure the log set is installed tightly under the back ledge to prevent light leakage.

**Figure 8**



- ⑧ Replace glass assembly.

## Glass Cleaning

The glass is cleaned in the factory during the assembly operation. During shipment, installation, handling, etc., the glass may collect dust particles; these can be removed by dusting lightly with a clean dry cloth.

To remove fingerprints or other marks, the glass can be cleaned with a damp cloth. To prevent scratching, do not use abrasive cleaners or spray liquids on the glass surface.



## Maintenance

### Fireplace Surface Cleaning

Use a cloth dampened with warm water only to clean painted surfaces of the electric fireplace. Do not use abrasive cleaners.



## Replacement Parts

1. Log Set Assembly . . . . .	0439970100RP
2. Flicker Motor . . . . .	2000210100RP
3. Blower Assembly . . . . .	2200491100RP
4. Thermostat . . . . .	2300150100RP
5. Cutout . . . . .	2300270100RP
6. Wire Harness . . . . .	2500400500RP
7. On/Off Switch . . . . .	2800070700RP
8. Remote Receiver . . . . .	3000380200RP
9. Terminal Block . . . . .	4000080100RP
10. Cord Set . . . . .	4100040300RP
11. Flicker Rod . . . . .	5901110100RP
12. Front Glass . . . . .	5901400100RP
13. Mirror . . . . .	5901410200RP
14. Control Knob . . . . .	8801080100RP
15. Remote Control . . . . .	3000370500RP

## **Warranty**

Dimplex Electric Fireplaces are tested and inspected prior to shipment and are guaranteed from defect to the purchaser of each new product. Any part which proves to be defective in material or workmanship under normal use within one year will be repaired or replaced without charge.\* The Company will not be responsible for any expense incurred for installation, removal for service, or transportation costs. Any such defect should be brought to the attention of the Dealer where the product was purchased and is authorized to repair or replace within the terms of this warranty.

The Company's only obligation under this warranty will be at its sole option to repair or replace any part proving defective or to refund the purchase price thereof.

**The owner/user assumes all other risks, if any, including the risk of any direct, indirect or consequential loss or damage arising out of the use of or inability to use the product.**

**The warranty will not apply if, in the sole judgment of the Company, damage or failure has resulted from accident, alteration, misuse, abuse, incorrect installation, or operation on an incorrect power source.**

The foregoing is in lieu of all other warranties expressed, implied, or statutory, and the Company neither assumes, nor authorizes any person to assume for it any other obligation, or liability in connection with said product.

**\*Light bulbs are not covered in the warranty.**

### **Service**

Contact your local dealer for service or warranty information.

### **Recycling**




For electrical products sold in the European Community. At the end of the electrical product's useful life it should not be disposed of with household waste. Please recycle where facilities exist. Check with your Local Authority or retailer for recycling advice in your country.



The product complies with the European Safety Standard EN60335-2-30 and the European Standard for Electromagnetic Compatibility (EMC) EN55014, EN61000 and EN50366 which cover the essential requirements of EEC Directives 2006/95 and 2004/108.



<p><b>1. Warranty Card</b></p> 	<p><b>2. Guarantee Period (in Years)</b></p>	<p><b>3. Model(s)</b></p>	<p><b>4. Date of Purchase</b></p>																
<p><b>5. Stamp &amp; Signature of retailer</b></p> <p><b>6. Fault/Defect</b></p>																			
<p><b>7. Contact Number &amp; Address</b></p> <table border="0"> <tr> <td data-bbox="476 91 528 371"> <p><b>DE</b></p> </td> <td data-bbox="476 371 528 640"> <p>Glen Dimplex Deutschland GmbH ewt-Kundendienst +49 (911) 1805 / 398 346 Fax. +49 (911) 1805 / 355 467 (12Cr./Min aus dem dt. Festnetz) service@glendimplex.de</p> </td> <td data-bbox="476 640 528 910"> <p><b>FR</b></p> </td> <td data-bbox="476 910 528 1317"> <p>Glen Dimplex France ZI Petite Montagne Sud 12 rue des Cévennes 91017 EVRY - LISSES www.glendimplex-france.fr</p> </td> </tr> <tr> <td data-bbox="528 91 580 371"> <p><b>UK</b></p> </td> <td data-bbox="528 371 580 640"> <p>Glen Dimplex UK Limited Millbrook House Grange Drive Hedge End Southampton Hampshire. SO30 2DF 0845 600 5111 Fax. 01489 773053 customer.services@glendimplex.com</p> </td> <td data-bbox="528 640 580 910"> <p><b>ES</b></p> </td> <td data-bbox="528 910 580 1317"> <p>Glen Dimplex España S.L. C/ Bailén, 20. 4º, 2ª e-08010 BARCELONA (+34) 93.238.61.59 Fax. (+34) 932384375</p> </td> </tr> <tr> <td data-bbox="580 91 631 371"> <p><b>IT</b></p> </td> <td data-bbox="580 371 631 640"> <p>Glen-Dimplex Italia S.r.l. via delle Rose 7, 24040 Ialio (BG) 035-201042 Fax 035-200492 info@glendimplex.it</p> </td> <td data-bbox="580 640 631 910"> <p><b>AU</b></p> </td> <td data-bbox="580 910 631 1317"> <p>Glen Dimplex Australia PTY Ltd Unit 2, 205 Abbotts Road Dandenong Melbourne Victoria 3175 Australia +61 3 87873567 Fax. +61 3 87873570 salesgd@glendimplex.com.au</p> </td> </tr> <tr> <td data-bbox="631 91 683 371"> <p><b>NZ</b></p> </td> <td data-bbox="631 371 683 640"> <p>Glen Dimplex Australasia 38 Harris Road East Tamaki Auckland New Zealand +64 9 274 8265 Fax. +64 9 274 8472 sales@glendimplex.co.nz</p> </td> <td colspan="2"></td> </tr> </table>				<p><b>DE</b></p>	<p>Glen Dimplex Deutschland GmbH ewt-Kundendienst +49 (911) 1805 / 398 346 Fax. +49 (911) 1805 / 355 467 (12Cr./Min aus dem dt. Festnetz) service@glendimplex.de</p>	<p><b>FR</b></p>	<p>Glen Dimplex France ZI Petite Montagne Sud 12 rue des Cévennes 91017 EVRY - LISSES www.glendimplex-france.fr</p>	<p><b>UK</b></p>	<p>Glen Dimplex UK Limited Millbrook House Grange Drive Hedge End Southampton Hampshire. SO30 2DF 0845 600 5111 Fax. 01489 773053 customer.services@glendimplex.com</p>	<p><b>ES</b></p>	<p>Glen Dimplex España S.L. C/ Bailén, 20. 4º, 2ª e-08010 BARCELONA (+34) 93.238.61.59 Fax. (+34) 932384375</p>	<p><b>IT</b></p>	<p>Glen-Dimplex Italia S.r.l. via delle Rose 7, 24040 Ialio (BG) 035-201042 Fax 035-200492 info@glendimplex.it</p>	<p><b>AU</b></p>	<p>Glen Dimplex Australia PTY Ltd Unit 2, 205 Abbotts Road Dandenong Melbourne Victoria 3175 Australia +61 3 87873567 Fax. +61 3 87873570 salesgd@glendimplex.com.au</p>	<p><b>NZ</b></p>	<p>Glen Dimplex Australasia 38 Harris Road East Tamaki Auckland New Zealand +64 9 274 8265 Fax. +64 9 274 8472 sales@glendimplex.co.nz</p>		
<p><b>DE</b></p>	<p>Glen Dimplex Deutschland GmbH ewt-Kundendienst +49 (911) 1805 / 398 346 Fax. +49 (911) 1805 / 355 467 (12Cr./Min aus dem dt. Festnetz) service@glendimplex.de</p>	<p><b>FR</b></p>	<p>Glen Dimplex France ZI Petite Montagne Sud 12 rue des Cévennes 91017 EVRY - LISSES www.glendimplex-france.fr</p>																
<p><b>UK</b></p>	<p>Glen Dimplex UK Limited Millbrook House Grange Drive Hedge End Southampton Hampshire. SO30 2DF 0845 600 5111 Fax. 01489 773053 customer.services@glendimplex.com</p>	<p><b>ES</b></p>	<p>Glen Dimplex España S.L. C/ Bailén, 20. 4º, 2ª e-08010 BARCELONA (+34) 93.238.61.59 Fax. (+34) 932384375</p>																
<p><b>IT</b></p>	<p>Glen-Dimplex Italia S.r.l. via delle Rose 7, 24040 Ialio (BG) 035-201042 Fax 035-200492 info@glendimplex.it</p>	<p><b>AU</b></p>	<p>Glen Dimplex Australia PTY Ltd Unit 2, 205 Abbotts Road Dandenong Melbourne Victoria 3175 Australia +61 3 87873567 Fax. +61 3 87873570 salesgd@glendimplex.com.au</p>																
<p><b>NZ</b></p>	<p>Glen Dimplex Australasia 38 Harris Road East Tamaki Auckland New Zealand +64 9 274 8265 Fax. +64 9 274 8472 sales@glendimplex.co.nz</p>																		

**UK / AU / NZ**

1. Warranty Card
2. Guarantee Period (in Years)
3. Model(s)
4. Date of Purchase
5. Stamp & Signature of retailer
6. Fault/Defect
7. Contact Number & Address

**DE**

1. Garantiekarte
2. Garantiezeitraum (in Jahre)
3. Modell(e)
4. Kaufdatum
5. Stempel & Unterschrift des Einzelhändlers
6. Fehler/Defekt
7. Kontakt-Tel.-Nr. & - Anschrift

**FR**

1. Bon de garantie
2. Période de garantie (en années)
3. Modèle(s)
4. Date d'achat
5. Cachet et signature du vendeur
6. Anomalie/Defaut
7. Nom et adresse du contact

**IT**

1. Scheda di garanzia
2. Periodo di garanzia (in anni)
3. Modello(i)
4. Data di acquisto
5. Timbro e firma del rivenditore
6. Guasto/difetto
7. Indirizzo e numero di contatto

**ES**

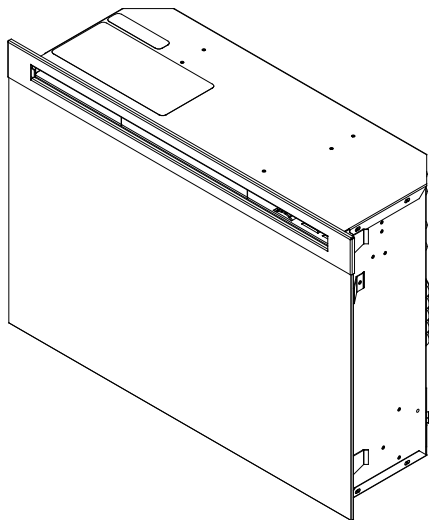
1. Tarjeta de garantía
2. Periodo de garantía (en años)
3. Modelo(s)
4. Fecha de adquisición
5. Sello y firma del distribuidor
6. Avería/Defecto
7. Número y dirección de contacto

**UA**

1. Гарантійний формуляр
2. Строк гарантії (років)
3. Модель(-і)
4. Дата придбання
5. Штамп і підпис дилера
6. Дефект
7. Контактна адреса та телефон

**RU**

1. Гарантийный формуляр
2. Срок гарантии (лет)
3. Модель(-и)
4. Дата приобретения
5. Печать и подпись Дилера
6. Дефект
7. Контактный адрес и телефон



# РУКОВОДСТВО ПОЛЬЗОВАТЕЛЯ

Модель  
DF2550-EU

EN

**RU**

UA

FR

ES

IT

DE

PO

---









## **ВАЖНАЯ ИНФОРМАЦИЯ ПО ТЕХНИКЕ БЕЗОПАСНОСТИ:**

Перед тем, как предпринимать какие-либо действия по установке или использованию этого камина, необходимо предварительно ознакомиться с содержанием данного руководства. Для обеспечения безопасной эксплуатации надлежит всегда учитывать предупреждения и следовать указаниям по соблюдению мер безопасности во избежание травм или порчи имущества.

7210730100R03



## Содержание

	Приветствие и пожелания . . . . .	3
	ВАЖНЫЕ УКАЗАНИЯ . . . . .	4
	Выбор и подготовка места установки . . . . .	6
	Установка камина . . . . .	7
	Эксплуатация . . . . .	10
	Техническое обслуживание . . . . .	13
	Запасные части . . . . .	16
	Гарантийные обязательства . . . . .	17

Для ремонта камина пользуйтесь услугами только квалифицированного техника или специализированной организации.

**! ПРИМЕЧАНИЕ:** Методы и приемы, заслуживающие особого внимания.

**⚠ ОСТОРОЖНО:** Методы и приемы, несоблюдение которых приведет к повреждению оборудования.

**⚠ ВНИМАНИЕ:** Методы и приемы, несоблюдение которых может привести к пожару, серьезной травме или смерти.



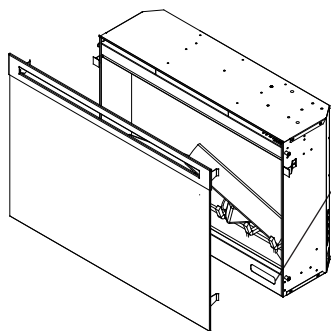
## Приветствие и пожелания

Благодарим за покупку и поздравляем с приобретением камина фирмы Dimplex -- мирового лидера в области производства электрических каминов.

**Пожалуйста, внимательно изучите и сохраните это Руководство.**

**⚠ ОСТОРОЖНО:** Перед началом установки камина внимательно изучите все указания и предупреждения. Несоблюдение этих инструкций может привести к угрозе электрошока, возникновения пожара и потере гарантии.

Пожалуйста, запишите номер вашей модели и серийный номер, как указано ниже, и сохраните на будущее. Оба номера указаны на специальной табличке на вашем камине.



MODEL/CAT. No.	<input type="text"/>	MOD.	<input type="checkbox"/>
SERIAL No.	<input type="text"/>	<input type="text"/>	

Номер модели

Заводской номер



**НЕ НУЖНО  
ВОЗВРАЩАТЬСЯ В  
МАГАЗИН**

Вопросы по сборке?

Требуется информация о деталях изделия?

Действует ли на изделие гарантия изготовителя?



**Звоните вашему  
местному дилеру**

Пожалуйста, держите наготове номер модели и заводской номер (смотри ниже).

## ВАЖНЫЕ УКАЗАНИЯ

- ① Перед началом использования электрокамина прочитайте все указания.
- ② Нагреватель камина нагревается в процессе работы. Во избежание ожогов не касайтесь горячих поверхностей. Рамка вокруг нагревателя также нагревается в процессе работы камина. Горючие материалы, такие как мебель, подушки, постельные принадлежности, бумага, одежда и занавески, должны находиться на расстоянии не менее 0,9 м от лицевой поверхности камина.
- ③ Особые предосторожности необходимы, когда нагреватель используется в присутствии детей и инвалидов или остается включенным без присмотра.
- ④ Всегда отключайте электрокамин от сети, если он не используется.
- ⑤ Не производите никаких операций с камином при поврежденном шнуре или штепсельной вилке, при сбое в работе нагревателя или если электрокамин имеет какие-либо повреждения от удара или падения. Такой нагреватель надо вернуть в сервисный центр для проверки или ремонта.
- ⑥ Не используйте камин вне помещения.
- ⑦ Электрический камин не предназначен для использования в ваннах, прачечных и иных подобных помещениях.
- ⑧ Не прокладывайте сетевой шнур под ковровым покрытием. Не накрывайте шнур коврами, ковровыми дорожками и т.п. Размещайте шнур в стороне от активного движения и там, где об него нельзя будет споткнуться.
- ⑨ Для отключения камина выключите все выключатели, а затем выньте вилку из розетки.
- ⑩ Не допускайте попадания посторонних предметов внутрь вентиляционных или выходных отверстий, так как это может привести к пожару, поражению электрическим током или повреждению камина.
- ⑪ Во избежание возникновения пожара не блокируйте приток и отток воздуха. Не помещайте камин на мягкие поверхности, такие как кровать, где отверстия могут быть заблокированы.
- ⑫ Все электронагреватели имеют внутри горячие или искрящие части. Не устанавливайте камин в помещениях, где используются или хранятся бензин, краски и другие легковоспламеняющиеся жидкости, либо в помещениях, где камин может подвергаться действию огнеопасных паров.
- ⑬ Не модифицируйте электрический камин. Используйте камин только так, как описано в данном Руководстве. Любое иное, не рекомендованное Изготовителем использование может вызвать пожар, поражение

# ВАЖНЫЕ УКАЗАНИЯ

электрическим током или травмирование людей.

⑭ Избегайте использования удлинительных шнуров. Удлинительные шнуры могут перегреваться и приводить к возгоранию. Если все же необходимо использовать удлинитель, используйте трехжильный кабель, рассчитанный на номинальный ток не менее 10 А.

⑮ Не жгите дрова или другие материалы в электрокамине.

⑯ Берегите стекло камина от ударов.

⑰ Всегда пользуйтесь услугами дипломированного электрика, если необходимы новые цепи питания или розетки.

⑱ Всегда используйте только правильно заземленные розетки с соответствующими предохранителями.

⑲ Полностью отключайте камин от электросети при чистке, обслуживании либо перемещении камина.


⑳ При транспортировке или хранении камина и шнура следует содержать их в сухом месте без


повышенных вибраций, чтобы избежать повреждения.

㉑ Камин не предназначен для использования лицами (включая детей) с ограниченными физическими, сенсорными или умственными возможностями, или лицами без достаточного опыта и знаний, за исключением тех случаев, когда они пользуются камином под наблюдением лица, ответственного за их безопасность, или если они получили указания относительно пользования этим прибором от указанного лица.

㉒ Дети должны быть под присмотром, дабы они не играли с камином.

㉓ Если шнур питания поврежден, он должен быть заменен Изготовителем, представителем его сервисной службы либо иными квалифицированными специалистами во избежание опасности.

 **ВНИМАНИЕ:** Во избежание перегрева не накрывайте нагреватель камина.

Обогреватель несет предупредительный знак  указывающий, что его нельзя накрывать



ОСТОРОЖНО  
ОПАСНОСТЬ ЭЛЕКТРОШОКА НЕ ОТКРЫВАТЬ  
НЕ СОДЕРЖИТ ЧАСТЕЙ, ОБСЛУЖИВАЕМЫХ  
ПОЛЬЗОВАТЕЛЕМ



## СОХРАНИТЕ ЭТО РУКОВОДСТВО



## Краткие замечания

- ① Перед началом использования камина проверьте следующее:
  - Включены ли автоматические выключатели в цепи для камина?
  - Не ослаблено ли контактное соединение электроламп в камине? (Для проверки следуйте указаниям по замене ламп в разделе «Техническое обслуживание» данного Руководства).
- ② При первом использовании нагреватель камина может выделять легкий, безвредный запах. Такой запах является нормальным явлением, вызываемым первоначальным нагревом внутренних частей нагревателя, и не будет повторяться в дальнейшем.
- ③ Вся информация относительно модели вашего камина может быть найдена в заводской табличке, помещенной на камине сверху.



## Выбор и подготовка места установки

**! ПРИМЕЧАНИЕ:** Необходима сеть напряжением 240 В и с током до 10 А. Отдельно выделенная цепь электропитания желательна, но не обязательна для всех случаев. Отдельно выделенная цепь может потребоваться, если после установки при включении обогрева регулярно «выбивает» автоматический выключатель или перегорают предохранители. Подключение к той же цепи дополнительных приборов может привести к превышению номинального тока автоматического выключателя.

**⚠ ВНИМАНИЕ:** Чтобы уменьшить риск возникновения пожара, поражения электрическим током или травмирования, убедитесь, что

шнур питания не прижат или не проложен против острого угла, и обеспечьте, чтобы он был защищен от отсоединения и оголения.

Конструкция розетки и электропроводка к ней должны удовлетворять требованиям местных строительных норм и других применяемых норм и правил, чтобы уменьшить риск возникновения пожара, поражения электрическим током или травмирования.

Не пытайтесь самостоятельно делать новую проводку или устанавливать розетки. Чтобы уменьшить риск возникновения пожара, поражения электрическим током или травмирования, всегда пользуйтесь услугами



## Выбор и подготовка места установки

дипломированного электрика. Этот раздел содержит рекомендации по выбору расположения и подготовке места установки камина с порталом фирмы Dimplex.

- ① Выберите подходящее местоположение, которое не подвержено воздействию влаги и находится в стороне от драпировки, мебели и активного движения.
- ② Для упрощения подключения к электросети вы можете расположить камин вблизи

существующей розетки (см. ПРИМЕЧАНИЕ 1).

- ③ Храните камин в сухом и непыльном месте.

**! ПРИМЕЧАНИЕ:** Габаритные размеры камина – ширина 661 мм X высота 480 мм X толщина 223 мм. Камин не требует никакого дополнительного вентилирования.

- ④ Не располагайте нагреватель непосредственно под электрической розеткой.

## Установка камина

- ① Установите камин в портал (в соответствии с указаниями по сборке портала) и закрепите портал согласно указаниям по сборке портала.

### **! ПРИМЕЧАНИЕ 1:**

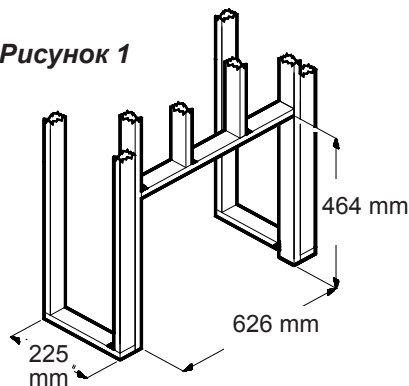
Необходима сеть напряжением 240 В и с током до 10 А. Отдельно выделенная цепь желательна, но не обязательна для всех случаев. Отдельно выделенная цепь может потребоваться, если после установки при включении обогрева регулярно «выбивает» автоматический

выключатель или перегорают предохранители. Подключение к той же цепи дополнительных приборов может привести к превышению номинального тока автоматического выключателя.

**! ВАЖНО:** Если не используется портал, изготовленный фирмой Dimplex, камин необходимо установить в нишу со следующими минимальными внутренними размерами (Рисунок 1).

## Установка камина

Рисунок 1



### Установка в новую стену

- 1 Выберите подходящее место, которое не подвержено воздействию влаги и находится в стороне от драпировки, мебели и активного движения.
- 2 Поместите камин в выбранном месте, чтобы увидеть, как он будет смотреться в помещении.
- 3 Отметьте на полу желательное местоположение и отставьте камин в надежное, сухое и непыльное место.
- 4 Используя стеновые стойки, сформируйте нишу шириной 626 мм, высотой 464 мм и глубиной 225 мм.

**Вариант 1** - Шнур питания может быть проложен за рамкой и вдоль стены к штепсельной розетке, расположенной рядом

с камином.

**Вариант 2** - Новый выход может быть предусмотрен внутри ниши в новой стене со стойками. Подключите камин к выходу на 10 А, 240 В. Если длины шнура недостаточно, можно использовать трехжильный удлинитель, рассчитанный не менее, чем на 10 А.

**Вариант 3** – Стационарное подключение

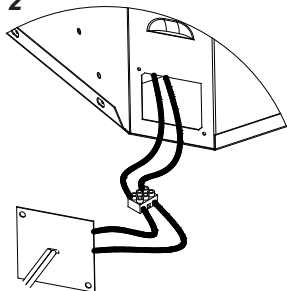
- 1 Подключайте через защищенную надлежащим предохранителем выделенную проводку, рассчитанную на 240 В, 10 А. Если камин устанавливается после завершения строительства стены, обеспечьте наличие кабеля силового ввода длиной до 2,4 м для присоединения источника питания к распределительной коробке на камине.

**⚠ ОСТОРОЖНО:** Используйте двухжильный кабель в неметаллической оболочке с заземляющим проводом (общее число проводов три (3)). Проводка должна соответствовать национальным и

## Установка камина

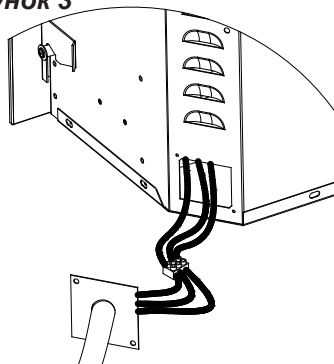
местным нормам и правилам номинального энергопотребления. Должны быть предусмотрены соответствующие правилам средства отключения.

**Рисунок 2**



- ② Удалите внешнюю оболочку и зачистите конец каждого провода.
- ③ Отвинтите винты крышки распределительной коробки и снимите крышку.
- ④ Вытащите кабели из распределительной коробки, освободите клеммник и уберите кабели вместе с крышкой (Рисунок 2).
- ⑤ Пропустите кабель питания через лючок на резервной крышке (поставляется в комплекте) распределительной коробки и зафиксируйте зажимом (в комплект не входит) (Рисунок 3).

**Рисунок 3**



- ⑥ Соедините фазу камина с фазовым проводом источника питания (Рисунок 3).
  - ⑦ Соедините нейтральный провод камина с нейтральным (нулевым) проводом источника питания (Рисунок 3).
  - ⑧ Соедините зеленый провод (заземление) камина с зеленым проводом источника питания (Рисунок 3).
  - ⑨ Разместите все подсоединенные провода внутри распределительной коробки и надежно зафиксируйте ее крышку на камине. Убедитесь, что кабельный зажим прижимает только оболочку кабеля.
- ⚠ ОСТОРОЖНО:** Зазор для циркуляции воздуха

## Установка камина

под очагом камина обеспечивается двумя (2) резиновыми ножками.

**Не устанавливайте камин непосредственно на ковер или на подобные поверхности, которые могут ограничивать циркуляцию воздуха.**

Если камин устанавливается в зоне с ковровым покрытием, подложите

под очаг камина цельный лист из жесткого и гладкого материала. Убедитесь, что обе ножки очага надежно стоят на поверхности этого листа.

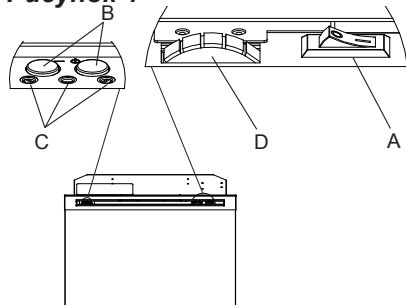
### **! ПРИМЕЧАНИЕ:**

Зафиксируйте камин шурупами, проходящими через нижнюю панель под муляжом дров и тлеющих углей (Рисунок 7).

## Эксплуатация

### Ручное управление электрокамина

**Рисунок 4**



#### **A. Главный выключатель On/Off**

Главный выключатель On/Off осуществляет подачу питания для обеспечения всех функций работы камина.

#### **B. Кнопки ручного переключения**


Кнопки ручного переключения осуществляют ручное управление режимами работы камина.

После включения камина нажатие на кнопку “I” позволяет последовательно выбирать один из трех режимов работы камина.

**Режим 1:** Включен эффект пламени, горит первый индикатор.

**Режим 2:** Эффект пламени сохраняется, нагреватель включен на слабый нагрев, горят первый и второй индикаторы.

## Эксплуатация

**Режим 3:** Эффект пламени сохраняется, нагреватель включен на сильный нагрев, горят все три (3) индикатора. Нажатием кнопки “” можно в любой момент выключить камин.

### **С. Индикаторы**

Индикаторные лампочки будут загораться по мере изменения режима работы камина.


### **Д. Управление термостатом**


нагревателя Чтобы установить температуру в помещении в соответствии с вашими индивидуальными требованиями, поверните ручку термостата по часовой стрелке до упора, чтобы включить нагреватель. Когда температура в помещении достигнет желаемого значения, поверните ручку термостата против часовой стрелки до тех пор, пока не услышите щелчок. Оставьте ручку в этом положении, чтобы поддерживать температуру помещения на заданном уровне. Для дополнительного повышения температуры поверните ручку по часовой стрелке до тех пор, пока снова не услышите щелчок,

и нагреватель включится.

### **Перезагрузка при отключении из-за перегрева**

В случае перегрева нагревателя срабатывает блок автоматического отключения камина, и для возобновления его работы необходимо осуществить перезагрузку блока. Эта операция выполняется путем установки главного выключателя On/Off (Вкл./Выкл.) в положение Off (Выкл.) на пять (5) минут с последующим переключением обратно в положение On (Вкл.).

** ОСТОРОЖНО:** Если возникает необходимость в постоянной перезагрузке нагревателя, следует отключить камин от электросети и позвонить в обслуживающую организацию.

** ОСТОРОЖНО:** Во избежание риска, связанного с ложными перезагрузками блока, электрокамин нельзя подключать через внешнее переключающее устройство (такое, как таймер) или подсоединять в цепь, в которой напряжение регулярно отключается и

## 🔑 Эксплуатация

**Рисунок 5**



включается коммунальными службами.

### **Дистанционное управление**

Камин снабжен дистанционным управлением, работающим на радиочастоте. Радиус действия пульта – около 15 м. Направлять пульт дистанционного управления на камин необязательно, так как большинство предметов (включая стены) для него не являются препятствием. Дистанционное управление настроено на одну из сотен независимых частот – во избежание интерференции с другими устройствами.

**! ПРИМЕЧАНИЕ:** Перед тем, как предпринимать какие-либо действия с пультом

дистанционного управления, вытащите изоляционную полоску пластика из зазора между корпусом пульта и крышкой батареи (Рисунок 5).

### **Инициализация Дистанционного Управления**

В случае, если у Вас возникли проблемы с передачей сигнала с пульта на удаленный приемник или была заменена плата пульта или приемника сигнала, может потребоваться проведение инициализации дистанционного управления.

Из состояния ВЫКЛЮЧЕНО:

- ① Убедитесь по основной сервисной панели, что к камину подается напряжение.
- ② Определите местонахождение элементов ручного управления и активируйте главный выключатель ON/OFF (Рисунок 4-A).
- ③ Нажмите и удерживайте кнопку “ I ” (Рисунок 4-B), пока не мигнут все лампочки индикаторов.
- ④ Нажмите кнопку On (Вкл.) на пульте дистанционного управления. Лампочки

## Эксплуатация

индикаторов быстро мигнут и затем погаснут.

### Пользование дистанционным управлением

Дистанционное управление включает режимы камина последовательно (от режима «Выключено»): только пламя; пламя и слабый нагрев; пламя и сильный нагрев.

Режим повышается при каждом нажатии кнопки On (Вкл.) на пульте дистанционного управления, и камин может быть выключен в любой момент нажатием кнопки Off (Выкл.).

### Замена батареи (Рисунок 5)

Для замены батареи необходимо:

- ① Сдвинуть крышку батареи на пульте дистанционного управления.
- ② Правильно вставить 1 (одну) батарею 12 В (А23) в держатель батареи.
- ③ Закрыть крышку батареи.



## Техническое обслуживание

### Замена ламп

Во избежание возможного ожога кожи прежде, чем прикоснуться к лампам, подождите по меньшей мере пять (5) минут, пока лампы остынут.

Лампы подлежат замене, если вы заметите темную секцию пламени или когда ухудшится яркость и четкость деталей муляжа дров и тлеющих углей. Под муляжом установлены две (2) лампы, создающие эффект пламени и тлеющих углей.

### Характеристики нижних ламп

Количество: две (2) прозрачные свечеобразные лампы с цоколем E-14 («миньон»), мощность 60 Вт. Пример: GE 60BC или Philips 60 CTC.

**Мощность каждой лампы не должна превышать 60 Вт.**

### Полезные советы

Если нормативный срок службы ламп подходит к концу, имеет смысл заменить одновременно



## Техническое обслуживание

все лампы. Групповая замена ламп сократит количество открываний камина для замены ламп.

### Чтобы получить доступ к нижним лампам:

- ① Снимите лицевое стекло.
- ② Потяните передний борт пластмассового муляжа дров и тлеющих углей (взявшись за его основание или пластмассовую решетку) вверх и вперед до тех пор, пока заднее ребро не покажется из-за реборды в основании зеркала (Рисунок 6).

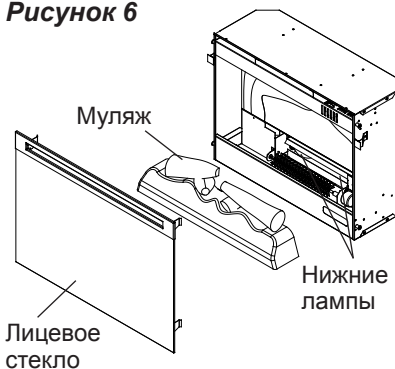
**! ВАЖНО:** Муляж можно брать только за основание. Не прикладывайте усилие к “полюсьям дров”!

**! ПРИМЕЧАНИЕ:** Муляж плотно вставлен в очаг, поэтому может потребоваться некоторое усилие, чтобы его извлечь.

- ③ Поместите муляж перед камином.
- ④ Аккуратно сдвиньте вал имитатора мерцания пламени вправо (насколько возможно) внутрь резиновой втулки на валу мотора имитатора мерцания пламени (Рисунок 7) и снимите имитатор.

- ⑤ Выкрутите лампы против часовой стрелки.
- ⑥ Вкрутите новые лампы.
- ⑦ Установите обратно имитатор мерцания пламени.
- ⑧ Установите муляж на место, вставив нижний передний борт его основания в паз сзади лицевой панели. Когда

**Рисунок 6**



передний борт полностью встанет на место, толкайте вниз задний борт основания муляжа до тех пор, пока его заднее ребро не войдет на свое место под зеркалом (Рисунок 8).

**! ПРИМЕЧАНИЕ:** Убедитесь, что муляж плотно заходит под заднюю реборду, предотвращая проникновение света..

- ⑨ Верните лицевое стекло на

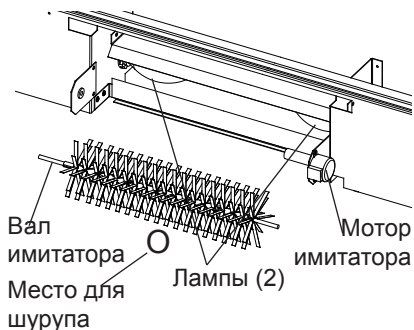




## Техническое обслуживание

**Рисунок 7**

Покомпонентное изображение

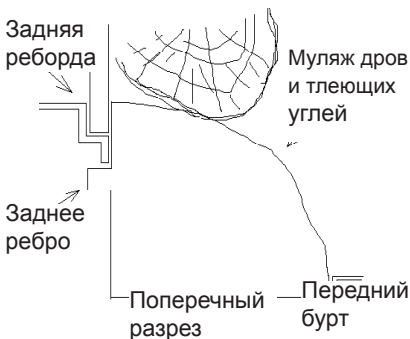


место.

### Чистка стекла

Стекло камина очищается на заводе - изготовителе в процессе сборки камина. В процессе транспортировки, хранения, установки и т.п. на поверхности стекла может появиться пыль, которую можно легко вытереть чистой сухой тканью. Для удаления следов пальцев или других загрязнений используйте влажную ткань. Во избежание царапин не используйте абразивные вещества или аэрозоли для чистки стекла.

**Рисунок 8**



### Чистка поверхности камина

Для чистки окрашенных поверхностей камина используйте ткань, смоченную теплой водой. Не используйте абразивные чистящие средства.



## Запасные части

1. Муляж дров и тлеющих углей . . . . . 0439970100RP
2. Мотор имитатора мерцания пламени . . . . . 2000210100RP
3. Узел воздухоподушки . . . . . 2200491100RP
4. Термостат . . . . . 2300150100RP
5. Автоматический выключатель . . . . . 2300270100RP
6. Жгут электропроводки . . . . . 2500400500RP
7. On/Off Выключатель (Вкл./Выкл.) . . . . . 2800070700RP
8. Приемник дистанционного управления . . . . . 3000380200RP
9. Клеммник . . . . . 4000080100RP
10. Кабель питания . . . . . 4100040300RP
11. Вал имитатора мерцания пламени . . . . . 5901110100RP
12. Лицевое стекло . . . . . 5901400100RP
13. Зеркало . . . . . 5901410200RP
14. Ручка управления . . . . . 8801080100RP
15. Пульт дистанционного управления . . . . . 3000370500RP



## Гарантийные обязательства

Камины Dimplex Electric проверены и испытаны перед отгрузкой, и отсутствие дефектов у каждого купленного нового изделия гарантируется. Любая деталь, в отношении которой будет доказано, что при условии нормального использования она оказалась дефектной в материале или изготовлении, в течение года с даты продажи заменяется или ремонтируется бесплатно.\* Любой такой дефект примет во внимание Дилер, у которого было куплено изделие и который имеет полномочия на замену и ремонт изделия в течение срока данной гарантии. Изготовитель не возмещает расходы, связанные с установкой, снятием на обслуживание или транспортировкой.

Единственной обязанностью Изготовителя в рамках данной гарантии является, по его выбору, ремонт или замена любой детали, оказавшейся дефектной, либо возмещение стоимости возвращенного изделия.

**Покупатель берет на себя все прочие риски, если таковые будут, включая риск прямой, не прямой или косвенной потери, или убытки, вытекающие вследствие использования или невозможности использования настоящего изделия.**

**Гарантия не действует, если, по мнению Изготовителя, повреждение или отказ возникли в результате аварии, переделки, ненадлежащего использования, злоупотребления, неправильной установки или подключения к неподходящему источнику электроэнергии.**

Вышесказанное заменяет все прочие гарантии, ясно выраженные, подразумеваемые или нормативные, и Изготовитель не берет на себя и не уполномочивает кого-либо брать на себя никакие другие обязательства или ответственность, связанные с данным изделием.

**\* Гарантия не распространяется на электрические лампы.**

### СЕРВИСНОЕ ОБСЛУЖИВАНИЕ

По вопросам сервисного обслуживания и гарантии обращайтесь к местному дилеру.


### Переработка



Для электрических изделий, продаваемых в Европейском сообществе. В конце срок службы электрических продукта не следует выбрасывать вместе с бытовыми отходами. Утилизация специально оборудованных мест. Обратитесь в местные органы власти или продавцу для утилизации в своей стране.



Изделие соответствует требованиям Европейского Стандарта по безопасности EN60335-2-30 и Европейским Стандартам по электромагнитной совместимости (ЭМС) EN55014, EN61000 и EN50366, которые охватывают все основные требования директив Европейского Союза 2006/95 и 2004/108.

<p><b>1. Warranty Card</b></p> 	<p><b>2. Guarantee Period (in Years)</b></p>	<p><b>3. Model(s)</b></p>	<p><b>4. Date of Purchase</b></p>																
<p><b>5. Stamp &amp; Signature of retailer</b></p> <p><b>6. Fault/Defect</b></p>																			
<p><b>7. Contact Number &amp; Address</b></p> <table border="0"> <tr> <td data-bbox="477 97 526 368"> <p><b>DE</b></p> </td> <td data-bbox="477 368 526 642"> <p>Glen Dimplex Deutschland GmbH ewt-Kundendienst +49 (911) 1805 / 398 346 Fax. +49 (911) 1805 / 355 467 (12Cr./Min aus dem dt. Festnetz) service@glendimplex.de</p> </td> <td data-bbox="477 642 526 915"> <p><b>FR</b></p> </td> <td data-bbox="477 915 526 1323"> <p>Glen Dimplex France ZI Petite Montagne Sud 12 rue des Cévennes 91017 EVRY - LISSES www.glendimplex-france.fr</p> </td> </tr> <tr> <td data-bbox="526 97 574 368"> <p><b>UK</b></p> </td> <td data-bbox="526 368 574 642"> <p>Glen Dimplex UK Limited Millbrook House Grange Drive Hedge End Southampton Hampshire. SO30 2DF 0845 600 5111 Fax. 01489 773053 customer.services@glendimplex.com</p> </td> <td data-bbox="526 642 574 915"> <p><b>ES</b></p> </td> <td data-bbox="526 915 574 1323"> <p>Glen Dimplex España S.L. C/ Bailén, 20. 4º, 2ª e-08010 BARCELONA (+34) 93.238.61.59 Fax. (+34) 932384375</p> </td> </tr> <tr> <td data-bbox="574 97 623 368"> <p><b>IT</b></p> </td> <td data-bbox="574 368 623 642"> <p>Glen-Dimplex Italia S.r.l. via delle Rose 7, 24040 Ialio (BG) 035-201042 Fax 035-200492 info@glendimplex.it</p> </td> <td data-bbox="574 642 623 915"> <p><b>AU</b></p> </td> <td data-bbox="574 915 623 1323"> <p>Glen Dimplex Australia PTY Ltd Unit 2, 205 Abbotts Road Dandenong Melbourne Victoria 3175 Australia +61 3 87873567 Fax. +61 3 87873570 salesgd@glendimplex.com.au</p> </td> </tr> <tr> <td data-bbox="623 97 672 368"> <p><b>NZ</b></p> </td> <td data-bbox="623 368 672 642"> <p>Glen Dimplex Australasia 38 Harris Road East Tamaki Auckland New Zealand +64 9 274 8265 Fax. +64 9 274 8472 sales@glendimplex.co.nz</p> </td> <td colspan="2"></td> </tr> </table>				<p><b>DE</b></p>	<p>Glen Dimplex Deutschland GmbH ewt-Kundendienst +49 (911) 1805 / 398 346 Fax. +49 (911) 1805 / 355 467 (12Cr./Min aus dem dt. Festnetz) service@glendimplex.de</p>	<p><b>FR</b></p>	<p>Glen Dimplex France ZI Petite Montagne Sud 12 rue des Cévennes 91017 EVRY - LISSES www.glendimplex-france.fr</p>	<p><b>UK</b></p>	<p>Glen Dimplex UK Limited Millbrook House Grange Drive Hedge End Southampton Hampshire. SO30 2DF 0845 600 5111 Fax. 01489 773053 customer.services@glendimplex.com</p>	<p><b>ES</b></p>	<p>Glen Dimplex España S.L. C/ Bailén, 20. 4º, 2ª e-08010 BARCELONA (+34) 93.238.61.59 Fax. (+34) 932384375</p>	<p><b>IT</b></p>	<p>Glen-Dimplex Italia S.r.l. via delle Rose 7, 24040 Ialio (BG) 035-201042 Fax 035-200492 info@glendimplex.it</p>	<p><b>AU</b></p>	<p>Glen Dimplex Australia PTY Ltd Unit 2, 205 Abbotts Road Dandenong Melbourne Victoria 3175 Australia +61 3 87873567 Fax. +61 3 87873570 salesgd@glendimplex.com.au</p>	<p><b>NZ</b></p>	<p>Glen Dimplex Australasia 38 Harris Road East Tamaki Auckland New Zealand +64 9 274 8265 Fax. +64 9 274 8472 sales@glendimplex.co.nz</p>		
<p><b>DE</b></p>	<p>Glen Dimplex Deutschland GmbH ewt-Kundendienst +49 (911) 1805 / 398 346 Fax. +49 (911) 1805 / 355 467 (12Cr./Min aus dem dt. Festnetz) service@glendimplex.de</p>	<p><b>FR</b></p>	<p>Glen Dimplex France ZI Petite Montagne Sud 12 rue des Cévennes 91017 EVRY - LISSES www.glendimplex-france.fr</p>																
<p><b>UK</b></p>	<p>Glen Dimplex UK Limited Millbrook House Grange Drive Hedge End Southampton Hampshire. SO30 2DF 0845 600 5111 Fax. 01489 773053 customer.services@glendimplex.com</p>	<p><b>ES</b></p>	<p>Glen Dimplex España S.L. C/ Bailén, 20. 4º, 2ª e-08010 BARCELONA (+34) 93.238.61.59 Fax. (+34) 932384375</p>																
<p><b>IT</b></p>	<p>Glen-Dimplex Italia S.r.l. via delle Rose 7, 24040 Ialio (BG) 035-201042 Fax 035-200492 info@glendimplex.it</p>	<p><b>AU</b></p>	<p>Glen Dimplex Australia PTY Ltd Unit 2, 205 Abbotts Road Dandenong Melbourne Victoria 3175 Australia +61 3 87873567 Fax. +61 3 87873570 salesgd@glendimplex.com.au</p>																
<p><b>NZ</b></p>	<p>Glen Dimplex Australasia 38 Harris Road East Tamaki Auckland New Zealand +64 9 274 8265 Fax. +64 9 274 8472 sales@glendimplex.co.nz</p>																		

**UK / AU / NZ**

1. Warranty Card
2. Guarantee Period (in Years)
3. Model(s)
4. Date of Purchase
5. Stamp & Signature of retailer
6. Fault/Defect
7. Contact Number & Address

**DE**

1. Garantiekarte
2. Garantiezeitraum (in Jahre)
3. Modell(e)
4. Kaufdatum
5. Stempel & Unterschrift des Einzelhändlers
6. Fehler/Defekt
7. Kontakt-Tel.-Nr. & - Anschrift

**FR**

1. Bon de garantie
2. Période de garantie (en années)
3. Modèle(s)
4. Date d'achat
5. Cachet et signature du vendeur
6. Anomalie/Defaut
7. Nom et adresse du contact

**IT**

1. Scheda di garanzia
2. Periodo di garanzia (in anni)
3. Modello(i)
4. Data di acquisto
5. Timbro e firma del rivenditore
6. Guasto/difetto
7. Indirizzo e numero di contatto

**ES**

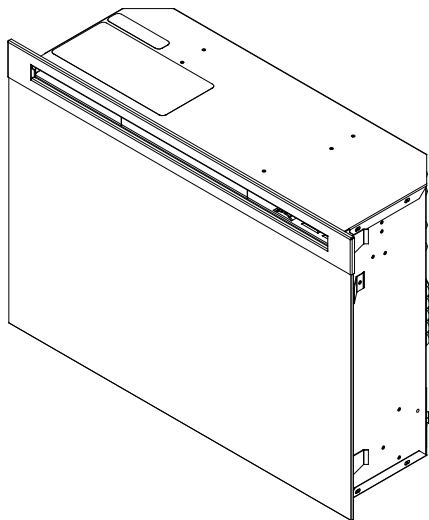
1. Tarjeta de garantía
2. Periodo de garantía (en años)
3. Modelo(s)
4. Fecha de adquisición
5. Sello y firma del distribuidor
6. Avería/Defecto
7. Número y dirección de contacto

**UA**

1. Гарантійний формуляр
2. Строк гарантія (років)
3. Модель(-і)
4. Дата придбання
5. Штамп і підпис дилера
6. Дефект
7. Контактна адреса та телефон

**RU**

1. Гарантійный формуляр
2. Срок гарантии (лет)
3. Модель(-и)
4. Дата приобретения
5. Печать и подпись Дилера
6. Дефект
7. Контактный адрес и телефон



# ПОСІБНИК КОРИСТУВАЧА

Модель  
DF2550-EU

EN

RU

**UA**

FR

ES

IT

DE


PO

**ВАЖЛИВА ІНФОРМАЦІЯ З ТЕХНІКИ БЕЗПЕКИ:** Перш ніж робити будь-які дії з установавання чи використання цього каміна, необхідно заздалегідь ознайомитися зі змістом даного посібника. Для забезпечення безпечної експлуатації належить завжди враховувати попередження і слідувати вказівкам з дотримання заходів безпеки, щоб уникнути травм або псування майна.

7210730100R03



## Зміст

	Привітання та побажання . . . . .	3
	ВАЖЛИВІ ВКАЗІВКИ . . . . .	4
	Вибір та приготування місця встановлення . .	6
	Стислі зауваження . . . . .	6
	Встановлення каміна . . . . .	7
	Експлуатація . . . . .	10
	Технічне обслуговування . . . . .	13
	Запасные части . . . . .	16
	Гарантійні зобов'язання . . . . .	17

Для ремонту каміна користуйтеся послугами лише кваліфікованого техника чи спеціалізованої установи.

**! ПРИМІТКА:** Методи та заходи, що заслуговують особливої уваги.

**⚠ ОБЕРЕЖНО:** Методи та заходи, недотримання яких призведе до пошкодження обладнання.

**⚠ УВАГА:** Методи та заходи, недотримання яких може призвести до пожежі, серйозної травми або смерті.



## Привітання та побажання

Дякуємо за покупку й поздоровляємо з придбанням каміна фірми Dimplex -- світового лідера в галузі виробництва електричних камінів.

**Будь ласка, уважно вивчіть і збережіть цей Посібник.**

**⚠ ОБЕРЕЖНО:** Перед початком установа каміна уважно вивчіть всі вказівки та попередження. Недотримання цих вказівок може призвести до загрози електрошока, виникнення пожежі та втрати гарантії.

Будь ласка, запишіть номер вашої моделі та заводський номер, як вказано нижче, і збережіть на майбутнє обидва номери, які вказані на спеціальній табличці на вашому каміні.



**НЕ ПОТРІБНО  
ПОВЕРТАТИСЯ ДО  
МАГАЗИНУ**

**Запитання відносно складання?**

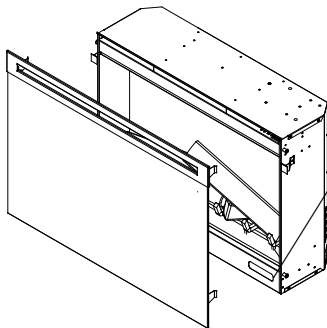
**Потрібна інформація стосовно  
деталей виробу?**

**Чи діє на виріб  
гарантія виробника?**



**Телефонуйте вашому  
місцевому дилеру**

Будь ласка, тримайте напоготові номер моделі та заводський номер (дивись нижче).



Номер моделі

MODEL/CAT. No.	<input type="text"/>	MOD.	<input type="checkbox"/>
SERIAL No.	<input type="text"/>	<input type="text"/>	

Заводський номер





## ВАЖЛИВІ ВКАЗІВКИ

- ① Перед початком користування електрокаміном прочитайте всі вказівки.
- ② Під час роботи нагрівач каміна нагрівається. Щоб уникнути опіків, не торкайтесь гарячих поверхонь. Рамка навколо нагрівача також нагрівається під час роботи каміна. Горючі матеріали, такі як меблі, подушки, постільні принадлежності, папери, одяг та штори, повинні знаходитись на відстані не менше 0,9 м від лицьової поверхні каміна.
- ③ Особливі заходи обережності необхідні, якщо нагрівач використовується в присутності дітей та інвалідів або залишається увімкненим без нагляду.
- ④ Завжди відключайте електрокамін від мережі, якщо він не використовується.
- ⑤ Не вчиняйте ніяких операцій з каміном при пошкодженому шнурі чи штепсельній вилці, при перебої в роботі нагрівача, або коли електричний камін має які-небудь пошкодження від удару чи падіння. Такий нагрівач потрібно повернути в сервісний центр для перевірки чи ремонту.
- ⑥ Не використовуйте камін поза приміщенням.
- ⑦ Електричний камін не розрахований для використання у ваннах, пральнях та інших подібних приміщеннях.
- ⑧ Не прокладайте мережний шнур під підлоговим покриттям. Не накривайте шнур килимами, килимовими доріжками і т.п. Розміщуйте шнур далі від активного руху і там, де через нього неможливо буде спіткнутися.
- ⑨ Для відключення каміна вимкніть усі вимикачі, а потім витягніть вилку з розетки.
- ⑩ Не дозволяйте стороннім предметам потрапляти в будь-які вентиляційні чи вихідні отвори, бо це може спричинити ураження електричним струмом або пожежу чи пошкодження нагрівача.
- ⑪ Для запобігання можливому займанню не перекривайте жодним чином повітряні впускні та випускні отвори. Не розміщуйте камін на м'яких поверхнях, таких як ліжко, де отвори можуть бути заблоковані.
- ⑫ Всі електронагрівачі мають всередині гарячі або іскристі частини. Не встановлюйте камін в приміщеннях, де використовуються або зберігаються бензин, фарби чи інші займисті рідини, або в приміщеннях, де камін може бути підданий дії займистих випарувань.
- ⑬ Не модифікуйте електрокамін. Використовуйте його тільки так, як це описано в даному Посібнику. Будь-яке інше використання, не рекомендоване Виробником, може спричинити пожежу, ураження електричним струмом або

# ВАЖЛИВІ ВКАЗІВКИ

травмування людей.


- ⑭ Уникайте використання подовжувальних шнурів. Подовжувальні шнури можуть перегріватись і призводити до займання. Якщо ж необхідно скористатися подовжувальним шнуром, то він має бути трижильного типу і розрахованим на номінальний струм не менший за 10 А.
- ⑮ Не палить в електрокаміні дрова та інші матеріали.
- ⑯ Бережіть скло каміна від ударів.
- ⑰ Якщо потрібні нові проводка чи розетки, завжди користуйтеся послугами дипломованого електрика.
- ⑱ Завжди використовуйте лише належно заземлені розетки з відповідними запобіжниками.
- ⑲ Перед чищенням, обслуговуванням чи перенесенням каміна від'єднуйте його від живлення.


⑳ Транспортувати та зберігати камін та шнур слід у сухому місці без надмірної вібрації й так, щоб уникнути пошкодження.

㉑ Камін не призначений для використання особами (в тому числі дітьми) з обмеженими фізичними, відчуттєвими чи розумовими можливостями, а також особами з браком досвіду та знань, за винятком тих випадків, коли вони користуються каміном під наглядом особи, що є відповідальною за їхню безпеку, або отримали вказівки щодо користування цим приладом від зазначеної особи.

㉒ Діти повинні бути під наглядом, аби вони не гралися з каміном.

㉓ Якщо шнур живлення пошкоджено, його повинен замінити Виробник, представник його сервісної служби або відповідно кваліфікований фахівець задля уникнення небезпеки.

** УВАГА:** Щоб уникнути перегрівання, не накривайте нагрівач каміна.

Нагрівач має попереджувальне позначення  яке вказує, що його не можна накривати



**ОБЕРЕЖНО**  
НЕБЕЗПЕКА ЕЛЕКТРОШОКУ НЕ ВІДКРИВАТИ  
НЕ МІСТИТЬ ЧАСТИН, ЯКІ ОБСЛУГОВУЮТЬСЯ  
КОРИСТУВАЧЕМ



## ЗБЕРЕЖІТЬ ЦЕЙ ПОСІБНИК



## Стислі зауваження

① Перш ніж користуватися каміном перевірте наступне:

- Чи ввімкнені автоматичні вимикачі в ланцюзі для каміна?
- Чи не попустились електролампи в каміні? (Щоб перевірити, дотримуйтесь вказівок щодо заміни ламп у розділі «Технічне обслуговування» даного Посібника).

② Під час першого використання нагрівач каміна може випускати легкий, безпечний запах. Такий запах є нормальним явищем, що спричиняється початковим нагріванням внутрішніх частин нагрівача й не буде знов повторюватися.

③ Вся інформація, яка стосується моделі вашого каміна, вказана у заводській таблиці, розміщеній на каміні зверху.



## Вибір та приготування місця встановлення

**! ПРИМІТКА:** Потрібна мережа напругою 240 В зі струмом до 10 А. Окремо виділений ланцюг електроживлення бажаний, але не в усіх випадках потрібний. Окремо виділений ланцюг може знадобитись, якщо після встановлення під час роботи каміна постійно «вибиває» автоматичний вимикач або зпрацьовують запобіжники. Підключення до того ж ланцюга додаткових приладів може призвести до перевищення номінального струму автоматичного вимикача.

**⚠ УВАГА:** Для зменшення ризику пожежі, ураження електричним струмом чи травмування переконайтесь, що шнур живлення

не затиснуто і не розміщено напроти гострого краю, і забезпечте, щоб він був застрахований проти від'єднання чи здирання ізоляції.

Конструкція розетки та електропроводка до неї повинні відповідати місцевим будівельним та іншим нормам та правилам, щоб зменшити ризик пожежі, ураження електричним струмом та травмування.

Не намагайтесь самостійно проводити нову проводку чи встановлювати розетки. Щоб зменшити ризик займання, ураження електричним струмом або травмування, завжди користуйтеся послугами дипломованого електрика.



## Вибір та приготування місця встановлення

Цей розділ містить рекомендації з вибору розташування й приготування місця встановлення каміна з порталом фірми Dimplex.

- ① Виберіть придатне місце, не схильне до вологості і осторонь завісок, меблів та активного руху.
- ② Щоб легше було подавати електричне живлення, ви можете розмістити камін поблизу існуючої розетки (див. ПРИМІТКА 1).

③ Зберігайте камін у безпечному, сухому та незапиленому місці.

**! ПРИМІТКА:** Габаритні розміри каміна – ширина 661 мм X висота 480 мм X товщина 223 мм. Камін не потребує ніякої додаткової вентиляції.

④ Не розміщуйте нагрівач безпосередньо під електричною розеткою.



## Встановлення каміна

① Встановіть камін у портал (згідно з указівками зі складання порталу) і закріпіть портал згідно з указівками зі складання порталу.

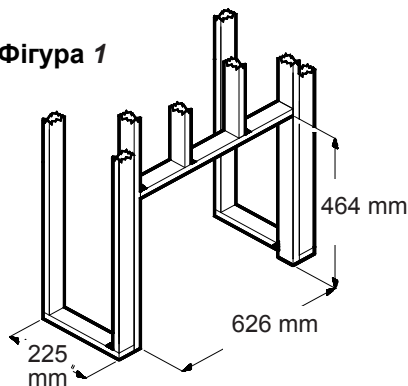
**! ПРИМІТКА 1:** Потрібна мережа напругою 240 В зі струмом до 10 А. Окремо виділений ланцюг електроживлення бажаний, але не в усіх випадках потрібний. Окремо виділений ланцюг може знадобитись, якщо після встановлення під час роботи каміна постійно «вибиває»

автоматичний вимикач або зпрацьовують запобіжники. Підключення до того ж кола додаткових приладів може призвести до перевищення номінального струму автоматичного вимикача.

**! ПРИМІТКА:** Якщо не використовується портал, виготовлений фірмою Dimplex, камін потрібно встановити в нішу з наступними мінімальними внутрішніми розмірами (Фігура 1).

## Встановлення каміна

Фігура 1



### Встановлення в нову стіну

- ① Виберіть придатне місце, не схильне до вологості і осторонь завісок, меблів та активного руху.
- ② Розмістіть камін у бажаному місці, щоб поглянути, як він виглядатиме у приміщенні.
- ③ Помітьте бажане місце на підлозі й відставте камін у безпечне, сухе та незапилене місце.
- ④ Скористуйтеся стіновими стоячками, щоб обрамувати нішу шириною 626 мм, висотою 464 мм і глибиною 225 мм.

### Варіант 1 - Шнур живлення може

проходити за накладкою і вздовж стіни до штепсельної розетки біля каміна.

**Варіант 2** – Новий вихід може бути передбачено всередині ніші в новій стіні зі стоячками. Підключіть камін до виходу на 10 А, 240 В. Якщо довжини шнура не вистачає, можна скористуватись трижильним подовжувачем, розрахованим не менше, ніж на 10 А.

### Варіант 3 – Стационарне підключення

- ① Підключайте через захищену належним запобіжником виділену проводку, розраховану на 240 В, 10 А. Якщо камін встановлюється після завершення будівництва стіни, забезпечте наявність кабелю силового вводу довжиною до 2,4 м для приєднання джерела живлення до розподільної коробки на каміні.

### **ОБЕРЕЖНО:**

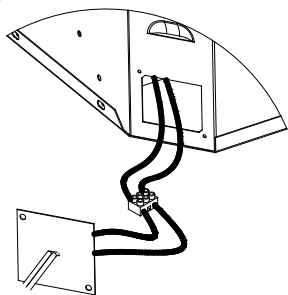
Використовуйте двожилий кабель у неметалевій оболонці із заземлюючим проводом (загальна кількість проводів три (3)). Проводка повинна відповідати національним і місцевим нормам та правилам номінального енергоспоживання. Повинні бути передбачені відповідні

## Встановлення каміна

правилам засоби відключення.

- ② Видаліть зовнішню оболонку і зачистіть кінець кожного дроту.
- ③ Викрутіть гвинти кришки розподільної коробки і зніміть кришку.
- ④ Витягніть кабелі з розподільної коробки, звільніть клемник і приберіть кабелі разом з кришкою (Фігура 2).
- ⑤ Пропустіть кабель живлення

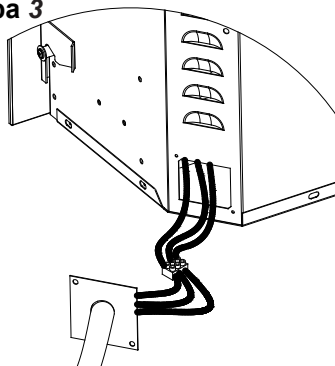
### Фігура 2



через лючок на резервній кришці (постачається в комплекті) розподільної коробки і зафіксуйте затискачем (в комплект не входить) (Фігура 3).

- ⑥ З'єднайте фазу каміна з фазовим проводом джерела енергії (Фігура 3).
- ⑦ З'єднайте нейтральний провід каміна з нейтральним (нульовим) проводом джерела

### Фігура 3



енергії (Фігура 3).

- ⑧ З'єднайте зелений провід (заземлення) каміна з зеленим проводом джерела енергії (Фігура 3).
- ⑨ Розташуйте всі з'єднання проводів всередині розподільної коробки і закріпіть її кришку на каміні. Переконайтесь, що кабельний затискач притискає лише оболонку кабелю.

**⚠ ОБЕРЕЖНО:** Зазор для циркуляції повітря під топкою каміна забезпечено двома (2) гумовими ніжками.

**Не встановлюйте камін безпосередньо на килимові або подібні поверхні, котрі можуть обмежувати циркуляцію повітря.**

## Встановлення каміна

Якщо камін встановлюється в зоні з килимовим покриттям, підкладіть під топку каміна цільний лист з жорсткого і гладкого матеріалу. Переконайтеся, що обидві ніжки топки надійно стоять на

поверхні цього листа.

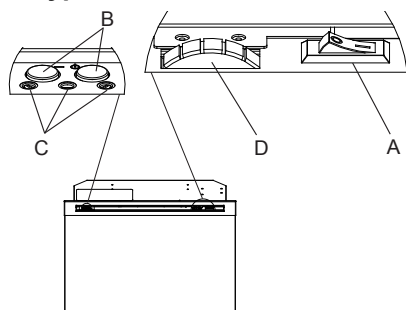
### **! ПРИМІТКА:**

Зафіксуйте камін шурупами, що проходять через нижню панель під муляжем дров і жевріючих жарин. (Фігура 7).

## Експлуатація

### Ручне керування електрокаміном

#### Фігура 4



#### **A. Головний вимикач On/Off**

Головний вимикач ON/OFF здійснює подачу живлення для забезпечення всіх функцій роботи каміна.

#### **B. Кнопки ручного переключення**


Кнопки ручного переключення здійснюють ручне керування режимами роботи каміна. Після включення каміна натискання

на кнопку “1” дозволяє послідовно вибирати один з трьох режимів роботи каміна.

Режим 1: Включено ефект полум'я, горить перший індикатор.

Режим 2: Ефект полум'я зберігається, нагрівач включено на слабе нагрівання, горять перший і другий індикатори.

Режим 3: Ефект полум'я зберігається, нагрівач включено на сильне нагрівання, горять усі три (3) індикатори.

Натисканням кнопки “” можна кожної миті вимкнути камін.

#### **C. Індикатори**

Лампи індикаторів будуть загорятися відповідно до зміни режиму роботи каміна.

#### **D. Керування термостатом нагрівача**

Щоб встановити температуру

## Експлуатація

приміщення згідно з вашими особистими вимогами, поверніть ручку керування термостата за годинниковою стрілкою до упора, щоб увімкнути нагрівач. Коли температура в приміщенні досягне бажаного значення, поверніть ручку термостата проти годинникової стрілки доти, доки не почуєте клацання. Залиште ручку в цьому положенні, щоб підтримувати температуру приміщення на заданому рівні. Для додаткового підвищення температури поверніть ручку за годинниковою стрілкою, доки знов почуєте клацання, і нагрівач увімкнеться.

### **Перезавантаження при відключенні внаслідок перегріву**

У разі перегріву нагрівача спрацьовує блок автоматичного відключення каміна, і для відновлення його роботи необхідно здійснити перезавантаження блоку. Ця операція виконується шляхом установлення головного вимикача On / Off (Увімкн./ Вимкн.) в положення Off (Вимкн.) на п'ять (5) хвилин

з наступним переключенням назад в положення On (Увімкн.).

**⚠ ОБЕРЕЖНО:** Якщо виникає необхідність у постійному перезавантаженні нагрівача, слід відключити камін від електромережі і подзвонити в обслуговуючу організацію.

**⚠ ОБЕРЕЖНО:** Якщо виникає необхідність у постійному перезавантаженні нагрівача, слід відключити камін від електромережі і подзвонити в обслуговуючу організацію. **ОБЕРЕЖНО:** Щоб усунути ризик, пов'язаний з помилковими перезавантаженнями блоку, електрокамін не можна підключати через зовнішній перемикаючий пристрій (такий, як таймер) або приєднувати до ланцюга, в якому напруга регулярно відключається і включається комунальними службами.

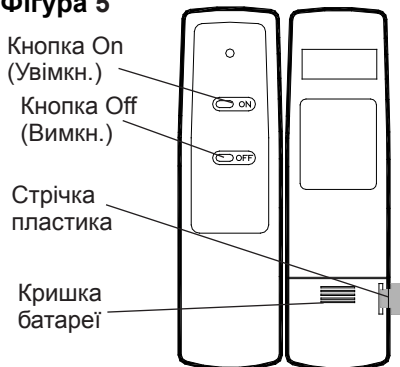
### **Дистанційне керування**

Камін забезпечено дистанційним керуванням, що працює на радіочастоті. Радіус дії дистанційного керування становить приблизно 15 м. Спрямовувати пульт



## 🔑 Експлуатація

**Фігура 5**



дистанційного керування на каміні необов'язково, тому що більшість предметів (включаючи стіни) для нього не є перешкодою. Дистанційне керування налаштоване на одну із сотен незалежних частот, щоб уникнути інтерференції з іншими електричними приладами.

**! ПРИМІТКА:** Перед тим як запровадити будь-які дії з пультом дистанційного керування, витягніть ізоляційну стрічку пластика із зазору поміж корпусом пульта і кришкою батареї (Фігура 5).

### Ініціювання дистанційного керування

У випадку виникнення проблем з передачею сигналу з пульта

на віддалений приймач або якщо була замінена плата пульта чи приймача сигналу, може знадобитись проведення ініціювання дистанційного керування.

3 положення ВИМКНЕНО:

- ① Переконайтеся по основній сервісній панелі, що до каміна подається напруга.
- ② Визначте місцезнаходження елементів ручного керування і ввімкніть головний вимикач On/Off (Увімкн./Вимкн.) (Фігура 4-A).
- ③ Натисніть і утримуйте кнопку "I" (Фігура 4-B), доки не мигнуть усі лампочки індикаторів.
- ④ Натисніть кнопку On (Увімкн.) на пульті дистанційного керування. Лампочки індикаторів швидко мигнуть і потім погаснуть.

### Користування дистанційним керуванням

Дистанційне керування включає режими каміна послідовно (від режиму «Вимкнено»): лише полум'я; полум'я і слабе нагрівання; полум'я і сильне нагрівання. Режим підвищується при кожному натисканні кнопки On (Увімкн.) на пульті

## Експлуатація

дистанційного керування, і камін може бути вимкнено кожної миті натисканням кнопки Off (Вимкн.).

### **Заміна батареї (Фігура 5)**

Для заміни батареї необхідно:

① Зсунути кришку батареї на

пульті дистанційного керування.

② Встановити 1 (одну) батарею 12 В (А23) у тримач батареї.

③ Зачинити кришку батареї.



## Технічне обслуговування

### **Заміна ламп**

Для уникнення можливого опіку шкіри почекайте принаймні п'ять (5) хвилин, доки лампи охолонуть.

Лампи треба міняти, коли зауважите темні елементи полум'я, або коли зменшаться ясність та чіткість деталей муляжу дров і жевріючих жарин. Під муляжем встановлено дві (2) лампи, які створюють ефект полум'я та жевріючих жарин.

### **Характеристики нижніх ламп**

Кількість: дві (2) прозорі свічкоподібні лампи з цоколем E-14 («міньон»), потужністю 60 Вт.

Приклад: GE 60BC або Philips 60 STC.

**Потужність кожної лампи не**

**повинна перевищувати 60 Вт.**

### **Корисні поради**

Як лампи дослужать до кінця свого ресурсу, бажано міняти їх усі разом. При груповій заміні треба буде рідше відкривати камін для заміни ламп.

### **Щоб отримати доступ до нижніх ламп:**

① Зніміть лицьове скло.

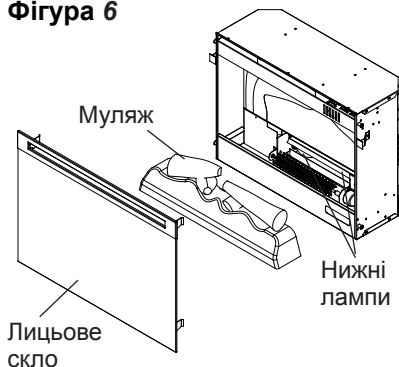
② Потягніть передній край пластмасового муляжу дров і жевріючих жарин (взявшись за основу або пластмасову решітку) вгору й вперед доти, доки заднє ребро муляжу не вийде з-під реборди в основі дзеркала (Фігура 6).

**! ВАЖЛИВО:** Муляж можна брати тільки за основу. Не



## Технічне обслуговування

Фігура 6

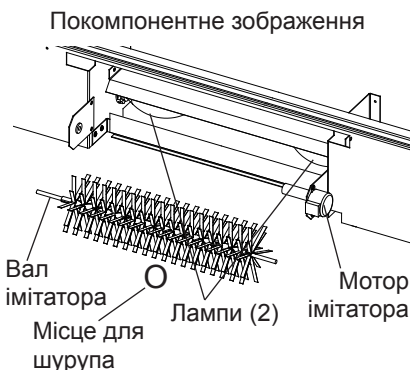


прикладайте зусилля до полін дров!

**! ПРИМІТКА:** Муляж щільно встановлено в топці, тому може знадобитися деяке зусилля, щоб його витягти.

- ③ Покладіть муляж перед каменем.
- ④ Акуратно посуňte вал імітатора мерехтіння полум'я вправо (наскільки можливо) всередину резинової втулки на валу мотора імітатора мерехтіння полум'я (Фігура 7) та вийміть його.
- ⑤ Викрутіть лампи проти годинникової стрілки.
- ⑥ Вкрутіть нові лампи.
- ⑦ Встановіть вал імітатора мерехтіння полум'я на місце.

Фігура 7



⑧ Встановіть муляж дров на місце, для чого введіть його нижній передній борт у паз позаду лицьової панелі. Коли передній борт повністю стане на місце, штовхайте вниз задній борт муляжу доти, доки його заднє ребро не увійде на своє місце під дзеркалом (Фігура 8).

**! ПРИМІТКА:** Переконайтесь, що муляж щільно заходить під задню реборду, запобігаючи проникненню світла.

⑨ Поверніть лицьове скло на місце.

### Чищення скла

Скло каміна очищається на заводі в процесі складання каміна. Під час перевезення, зберігання, встановлення тощо



## Технічне обслуговування

скло може нагромаджувати частинки пилу, які можна легко витерти сухою чистою тканиною.

Для видалення слідів пальців або інших забруднень використовуйте вологу тканину. Щоб уникнути подряпин, не використовуйте абразивні речовини або аерозолі для чищення скла.

### Чищення поверхонь каміна

Для чищення фарбованих поверхонь електрокаміна користуйтеся лише тканиною, змоченою теплою водою. Не використовуйте абразивних очищувачів.

Фігура 8





## Запасные части

1. Муляж дров і жевріючих жарин . . . . . 0439970100RP
2. Мотор імітатора мерехтіння полум'я . . . . . 2000210100RP
3. Вузол повітродувки . . . . . 2200491100RP
4. Термостат . . . . . 2300150100RP
5. Автоматичний вимикач. . . . . 2300270100RP
6. Джгут електропроводки. . . . . 2500400500RP
7. On/Off Вимикач (Увімкн./Вимкн.) . . . . . 2800070700RP
8. Приймач дистанційного керування . . . . . 3000380200RP
9. Клемник . . . . . 4000080100RP
10. Кабель живлення. . . . . 4100040300RP
11. Вал імітатора мерехтіння полум'я . . . . . 5901110100RP
12. Лицьове скло . . . . . 5901400100RP
13. Дзеркало . . . . . 5901410200RP
14. Ручка керування . . . . . 8801080100RP
15. Пульт дистанційного керування . . . . . 3000370500RP



## Гарантійні зобов'язання

Каміни Dimplex Electric перед транспортуванням були протестовані та оглянуті, і тому покупцю кожного нового каміна гарантується, що камін не має дефектів. Будь-яка деталь, стосовно якої доведено, що за умов нормального використання вона була дефектна в матеріалі чи виготовленні, впродовж року від дати продажу замінюється або ремонтується безкоштовно.\* Упродовж гарантійного строку будь-який такий дефект візьме до уваги дилер, де цей виріб було куплено, і який є уповноважений замінити чи відремонтувати прилад. Виробник не відповідає за витрати, пов'язані з монтажем, демонтажем для обслуговування, та за транспортні витрати.

Єдиним обов'язком Виробника за такої гарантії є, за його вибором, ремонт чи заміна будь-якої деталі, котра, як доведено, є дефективна, або відшкодування спланичених коштів за повернутий виріб.

**Покупець бере на себе всі інші ризики, якщо такі будуть, в тому числі ризик прямої, непрямой чи побічної втрати, чи збитки, які виникли внаслідок використання чинеможливості використання цього виробу.**

**Гарантія не застосовуватиметься, якщо, на думку Виробника, пошкодження чи відмова настали внаслідок нещасного випадку, видозміни, неправильного використання, зловживання, неправильного встановлення чи підключення до неналежного джерела електроенергії.**

Наведене вище є замість всіх інших гарантій, ясно виражених, гаданих чи установлених, і Виробник не бере на себе і не уповноважує будь-кого брати на себе ніякі інші зобов'язання чи відповідальність, пов'язану з даним виробом.

\*Гарантія не поширюється на електричні лампи.

### СЕРВІСНЕ ОБСЛУГОВУВАННЯ

Щодо обслуговування та гарантійного ремонту звертайтеся до свого місцевого дилера.


### Переробка



Для електричних виробів, що продаються в Європейському співтоваристві. В кінці термін служби електричних продукту не слід викидати разом з побутовими відходів. Утилізація спеціально обладнаних місцях. Зверніться до місцевих органів влади або продавцю для утилізації у своїй країні.



Виріб відповідає вимогам Європейського Стандарту безпеки EN60335-2-30 та Європейським Стандартам щодо електромагнітної сумісності (EMC) EN55014, EN61000 та EN50366, які охоплюють найсуттєвіші вимоги Директив ЄЕС 2006/95 та 2004/108.

<p><b>1. Warranty Card</b></p> 	<p><b>2. Guarantee Period (in Years)</b></p>	<p><b>3. Model(s)</b></p>	<p><b>4. Date of Purchase</b></p>																
<p><b>5. Stamp &amp; Signature of retailer</b></p> <p><b>6. Fault/Defect</b></p>																			
<p><b>7. Contact Number &amp; Address</b></p> <table border="0"> <tr> <td data-bbox="476 97 528 371"> <p><b>DE</b></p> </td> <td data-bbox="476 371 528 640"> <p>Glen Dimplex Deutschland GmbH ewt-Kundendienst +49 (911) 1805 / 398 346 Fax. +49 (911) 1805 / 355 467 (12Cr./Min aus dem dt. Festnetz) service@glendimplex.de</p> </td> <td data-bbox="476 640 528 910"> <p><b>FR</b></p> </td> <td data-bbox="476 910 528 1323"> <p>Glen Dimplex France ZI Petite Montagne Sud 12 rue des Cévennes 91017 EVRY - LISSES www.glendimplex-france.fr</p> </td> </tr> <tr> <td data-bbox="528 97 580 371"> <p><b>UK</b></p> </td> <td data-bbox="528 371 580 640"> <p>Glen Dimplex UK Limited Millbrook House Grange Drive Hedge End Southampton Hampshire. SO30 2DF 0845 600 5111 Fax. 01489 773053 customer.services@glendimplex.com</p> </td> <td data-bbox="528 640 580 910"> <p><b>ES</b></p> </td> <td data-bbox="528 910 580 1323"> <p>Glen Dimplex España S.L. C/ Bailén, 20. 4º, 2ª e-08010 BARCELONA (+34) 93.238.61.59 Fax. (+34) 932384375</p> </td> </tr> <tr> <td data-bbox="580 97 631 371"> <p><b>IT</b></p> </td> <td data-bbox="580 371 631 640"> <p>Glen-Dimplex Italia S.r.l. via delle Rose 7, 24040 Ialio (BG) 035-201042 Fax 035-200492 info@glendimplex.it</p> </td> <td data-bbox="580 640 631 910"> <p><b>AU</b></p> </td> <td data-bbox="580 910 631 1323"> <p>Glen Dimplex Australia PTY Ltd Unit 2, 205 Abbotts Road Dandenong Melbourne Victoria 3175 Australia +61 3 87873567 Fax. +61 3 87873570 salesgd@glendimplex.com.au</p> </td> </tr> <tr> <td data-bbox="631 97 683 371"> <p><b>NZ</b></p> </td> <td data-bbox="631 371 683 640"> <p>Glen Dimplex Australasia 38 Harris Road East Tamaki Auckland New Zealand +64 9 274 8265 Fax. +64 9 274 8472 sales@glendimplex.co.nz</p> </td> <td colspan="2"></td> </tr> </table>				<p><b>DE</b></p>	<p>Glen Dimplex Deutschland GmbH ewt-Kundendienst +49 (911) 1805 / 398 346 Fax. +49 (911) 1805 / 355 467 (12Cr./Min aus dem dt. Festnetz) service@glendimplex.de</p>	<p><b>FR</b></p>	<p>Glen Dimplex France ZI Petite Montagne Sud 12 rue des Cévennes 91017 EVRY - LISSES www.glendimplex-france.fr</p>	<p><b>UK</b></p>	<p>Glen Dimplex UK Limited Millbrook House Grange Drive Hedge End Southampton Hampshire. SO30 2DF 0845 600 5111 Fax. 01489 773053 customer.services@glendimplex.com</p>	<p><b>ES</b></p>	<p>Glen Dimplex España S.L. C/ Bailén, 20. 4º, 2ª e-08010 BARCELONA (+34) 93.238.61.59 Fax. (+34) 932384375</p>	<p><b>IT</b></p>	<p>Glen-Dimplex Italia S.r.l. via delle Rose 7, 24040 Ialio (BG) 035-201042 Fax 035-200492 info@glendimplex.it</p>	<p><b>AU</b></p>	<p>Glen Dimplex Australia PTY Ltd Unit 2, 205 Abbotts Road Dandenong Melbourne Victoria 3175 Australia +61 3 87873567 Fax. +61 3 87873570 salesgd@glendimplex.com.au</p>	<p><b>NZ</b></p>	<p>Glen Dimplex Australasia 38 Harris Road East Tamaki Auckland New Zealand +64 9 274 8265 Fax. +64 9 274 8472 sales@glendimplex.co.nz</p>		
<p><b>DE</b></p>	<p>Glen Dimplex Deutschland GmbH ewt-Kundendienst +49 (911) 1805 / 398 346 Fax. +49 (911) 1805 / 355 467 (12Cr./Min aus dem dt. Festnetz) service@glendimplex.de</p>	<p><b>FR</b></p>	<p>Glen Dimplex France ZI Petite Montagne Sud 12 rue des Cévennes 91017 EVRY - LISSES www.glendimplex-france.fr</p>																
<p><b>UK</b></p>	<p>Glen Dimplex UK Limited Millbrook House Grange Drive Hedge End Southampton Hampshire. SO30 2DF 0845 600 5111 Fax. 01489 773053 customer.services@glendimplex.com</p>	<p><b>ES</b></p>	<p>Glen Dimplex España S.L. C/ Bailén, 20. 4º, 2ª e-08010 BARCELONA (+34) 93.238.61.59 Fax. (+34) 932384375</p>																
<p><b>IT</b></p>	<p>Glen-Dimplex Italia S.r.l. via delle Rose 7, 24040 Ialio (BG) 035-201042 Fax 035-200492 info@glendimplex.it</p>	<p><b>AU</b></p>	<p>Glen Dimplex Australia PTY Ltd Unit 2, 205 Abbotts Road Dandenong Melbourne Victoria 3175 Australia +61 3 87873567 Fax. +61 3 87873570 salesgd@glendimplex.com.au</p>																
<p><b>NZ</b></p>	<p>Glen Dimplex Australasia 38 Harris Road East Tamaki Auckland New Zealand +64 9 274 8265 Fax. +64 9 274 8472 sales@glendimplex.co.nz</p>																		

**UK / AU / NZ**

1. Warranty Card
2. Guarantee Period (in Years)
3. Model(s)
4. Date of Purchase
5. Stamp & Signature of retailer
6. Fault/Defect
7. Contact Number & Address

**DE**

1. Garantiekarte
2. Garantiezeitraum (in Jahre)
3. Modell(e)
4. Kaufdatum
5. Stempel & Unterschrift des Einzelhändlers
6. Fehler/Defekt
7. Kontakt-Tel.-Nr. & -Anschrift

**FR**

1. Bon de garantie
2. Période de garantie (en années)
3. Modèle(s)
4. Date d'achat
5. Cachet et signature du vendeur
6. Anomalie/Défaut
7. Nom et adresse du contact

**IT**

1. Scheda di garanzia
2. Periodo di garanzia (in anni)
3. Modello(i)
4. Data di acquisto
5. Timbro e firma del rivenditore
6. Guasto/difetto
7. Indirizzo e numero di contatto

**ES**

1. Tarjeta de garantía
2. Periodo de garantía (en años)
3. Modelo(s)
4. Fecha de adquisición
5. Sello y firma del distribuidor
6. Avería/Defecto
7. Número y dirección de contacto

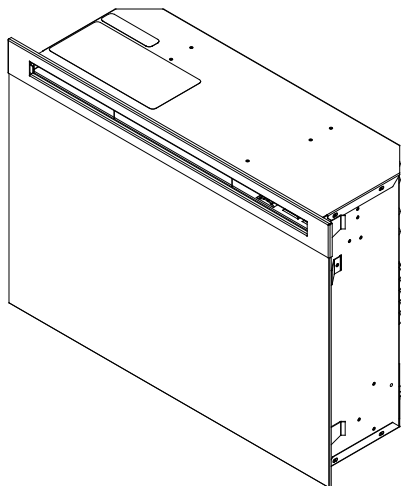
**UA**

1. Гарантійний формуляр
2. Строк гарантії (років)
3. Модель(-і)
4. Дата придбання
5. Штамп і підпис дилера
6. Дефект
7. Контактна адреса та телефон

**RU**

1. Гарантийный формуляр
2. Срок гарантии (лет)
3. Модель(-и)
4. Дата приобретения
5. Печать и подпись дилера
6. Дефект
7. Контактный адрес и телефон





## Manuel du propriétaire

Modèle  
DF2550-EU

EN

RU

UA

FR

ES

IT

DE

PO










---

**CONSIGNES DE SÉCURITÉ IMPORTANTES** : Toujours lire le présent manuel avant d'essayer d'installer ou d'utiliser ce foyer. Pour votre sécurité, toujours respecter tous les avertissements et suivre les consignes de sécurité compris dans le présent manuel afin de prévenir les blessures ou les dommages matériels.

7210730100R03



## Table des matières

	Bienvenue et félicitations . . . . .	3
	INSTRUCTIONS IMPORTANTES. . . . .	4
	Guide de référence rapide. . . . .	6
	Choix et préparation du lieu . . . . .	6
	Installation du foyer . . . . .	7
	Utilisation . . . . .	10
	Entretien . . . . .	13
	Liste des pièces de rechange . . . . .	15
	Garantie . . . . .	16

Toujours recourir aux services d'un technicien dûment qualifié ou d'une entreprise de services de maintenance pour réparer ce foyer.

**! NOTA :** Marches à suivre et techniques considérées suffisamment importantes pour qu'on les souligne.

**⚠ MISE EN GARDE :** Marches à suivre et techniques qui, si elles ne sont pas bien respectées, se traduiront par des dommages causés à l'appareil.

**⚠ AVERTISSEMENT :** Marches à suivre et techniques qui, si elles ne sont pas bien respectées, exposeront l'utilisateur à des risques d'incendie, de blessure grave ou de décès.

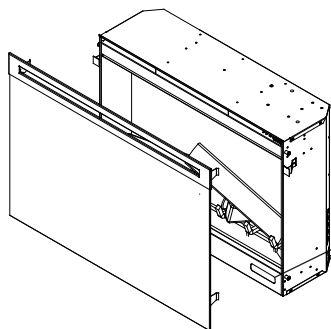
## Bienvenue et félicitations

Merci et félicitations pour avoir choisi un foyer électrique de Dimplex, le chef de file mondial en matière de foyers électriques.

**Veillez lire ces consignes attentivement et les conserver.**

**⚠ MISE EN GARDE :** Lire attentivement toutes les consignes et tous les avertissements avant de procéder à l'installation du foyer. Si ces consignes ne sont pas respectées, cela pourrait entraîner un risque de choc électrique ou d'incendie, et la garantie sera frappée de nullité.

Veillez prendre en note le numéro de modèle et le numéro de série de votre appareil en vue d'une consultation ultérieure; les numéros de modèle et de série se trouvent sur l'étiquette de modèle et de série de votre foyer.



Numéro de modèle

MODEL/CAT. No.  MOD.

SERIAL No.

Numéro de série



**IL N'EST PAS NÉCESSAIRE D'ALLER AU MAGASIN**

**Des questions à propos de l'assemblage?**

**Besoin d'information sur des pièces détachées?**

**Besoin d'information à propos d'un produit sous une garantie du fabricant?**



**Communiquer avec votre dépositaire**

Veillez avoir à portée de main les numéros de modèle et de série de votre appareil. (Voir ci-dessous)

# INSTRUCTIONS IMPORTANTES

- ① Lire toutes les instructions avant de se servir du foyer électrique.
- ② Le foyer devient chaud lorsqu'il est en marche. Pour éviter les brûlures, ne pas toucher les surfaces chaudes. La bordure autour de la bouche de chaleur devient chaude lorsque les éléments chauffent. Garder à au moins 0.9 m de l'appareil tout matériel combustible : meubles, oreillers, literie, papier, vêtements et rideaux.
- ③ Faire preuve d'une grande prudence lorsque l'appareil est utilisé par des enfants ou des personnes handicapées, s'il est en marche à proximité d'eux, ou s'il est en marche et laissé sans surveillance.
- ④ Toujours débrancher le foyer lorsqu'il n'est pas utilisé.
- ⑤ Ne pas se servir de l'appareil si la fiche ou le cordon sont endommagés, si les éléments chauffants fonctionnent mal ou si le foyer électrique est tombé ou est endommagé de quelque manière que ce soit. Pour le faire vérifier, pour faire effectuer une mise au point électrique ou mécanique, ou pour le faire réparer, communiquer avec un centre de service autorisé.
- ⑥ Ne pas utiliser à l'extérieur.
- ⑦ Ce foyer électrique n'est pas conçu pour être utilisé dans la salle de bain, la salle de lavage et d'autres endroits semblables à l'intérieur. Ne pas utiliser l'appareil à proximité d'une baignoire ou de tout autre réservoir d'eau dans lequel il pourrait tomber.
- ⑧ Ne pas faire passer le cordon sous un tapis. Ne pas couvrir le cordon de carpettes, de tapis de couloir ou d'autres recouvrements de sol. Éloigner le cordon des endroits passants et éviter de le placer là où il pourrait provoquer la chute d'une personne.
- ⑨ Pour débrancher le foyer, éteindre l'appareil, puis retirer la fiche de la prise de courant.
- ⑩ Ne pas introduire de corps étrangers dans la prise d'air de ventilation ou la bouche de sortie d'air, car cela peut occasionner des chocs électriques, provoquer un incendie ou endommager le foyer.
- ⑪ Pour éviter un incendie, ne pas obstruer l'entrée ou la sortie d'air d'aucune façon. Ne pas utiliser l'appareil sur des surfaces instables, comme un lit, où les ouvertures risquent de se bloquer.
- ⑫ Tous les appareils chauffants électriques contiennent des pièces qui chauffent et produisent des étincelles. Ne pas faire fonctionner le foyer dans des endroits où de l'essence, de la peinture et autres produits inflammables sont utilisés ou rangés, ou s'il y a exposition à des vapeurs inflammables.
- ⑬ Ne pas apporter de modifications au foyer. Se servir du foyer uniquement de la façon décrite dans le présent guide. Toute autre utilisation non recommandée par le fabricant peut provoquer un incendie, occasionner des chocs électriques ou des blessures.
- ⑭ Ne modifier la fiche d'aucune

# INSTRUCTIONS IMPORTANTES

façon. Éviter d'utiliser une rallonge. Les rallonges peuvent surchauffer et présenter un risque d'incendie. S'il est nécessaire d'utiliser une rallonge, s'assurer que celle-ci est tripolaire et capable de supporter une intensité d'au moins 10 ampères.


- ⑮ Ne pas brûler de bois ni d'autres matériaux dans ce foyer électrique.
- ⑯ Ne pas frapper sur la vitre frontale du foyer.
- ⑰ Toujours faire appel à un électricien certifié pour l'installation de nouveaux circuits ou de nouvelles prises de courant.
- ⑱ Toujours se servir de prises correctement mises à la terre, protégées par un fusible ou un disjoncteur.
- ⑲ Fermer toute source d'alimentation électrique du foyer avant de le nettoyer, de le réparer ou de le déplacer.

⑳ Pendant le transport ou l'entreposage de l'appareil, le conserver dans un endroit sec et à l'abri de vibrations excessives, et le ranger de façon à éviter qu'il ne s'endommage.


㉑ Cet appareil n'est pas conçu pour être utilisé par des personnes (y compris des enfants) aux capacités physiques, sensorielles ou mentales réduites, ou par des personnes manquant d'expérience ou de connaissances, à moins qu'elles ne soient supervisées par une personne responsable de leur sécurité lorsqu'elles utilisent l'appareil ou qu'elles n'aient été formées pour son utilisation.

㉒ Surveiller les enfants pour éviter qu'ils ne jouent avec l'appareil.

㉓ Si le cordon d'alimentation est endommagé, il doit être remplacé par le fabricant ou par son fournisseur de service, ou par une autre personne possédant des compétences similaires pour éviter tout danger.

 Attention: Afin d'éviter une surchauffe, ne couvrent pas les chauffe-eau.

---

Le symbole d'avertissement  est apposé sur l'appareil de chauffage pour indiquer que ce dernier ne doit pas être couvert.



**MISE EN GARDE**  
RISQUE DE CHOC ÉLECTRIQUE - NE PAS OUVRIR  
L'UTILISATEUR NE PEUT EFFECTUER LUI MÊME L'ENTRETIEN  
D'AUCUNE PIÈCE SE TROUVANT À L'INTÉRIEUR



## CONSERVER CES CONSIGNES



## Guide de référence rapide

① Avant d'utiliser votre foyer électrique pour la première fois, veuillez vérifier ce qui suit :

- Les disjoncteurs de la prise de courant dans laquelle sera branché l'appareil sont ils en position « MARCHE » (ON)?
- Les ampoules électriques sont elles bien vissées? (Pour les vérifier, suivre les instructions de remplacement d'une ampoule électrique qui se trouvent dans la section « Entretien » du présent guide)

② Au cours de la première utilisation, les éléments chauffants peuvent dégager une légère odeur inoffensive, car ils chauffent pour la première fois. Cette situation est normale et ne devrait plus se produire par la suite.

③ Les renseignements relatifs au modèle de votre foyer se trouvent sur la plaque signalétique, située à sur le dessus du foyer.



## Choix et préparation du lieu

**! NOTA 1 :** Un circuit de 10 ampères et de 240 volts est nécessaire. Un circuit spécialisé est préférable, mais pas essentiel dans tous les cas. Un circuit spécialisé sera nécessaire si, après l'installation, le disjoncteur se déclenche ou si le fusible saute régulièrement lorsque le foyer fonctionne. L'ajout d'appareils sur un même circuit peut entraîner un dépassement du courant nominal du disjoncteur.

**⚠ AVERTISSEMENT :** Veiller à ce que le cordon d'alimentation ne soit ni coincé ni placé contre un bord tranchant, mais rangé ou placé de façon à éviter tout

risque d'accrochage susceptible de causer un incendie, des chocs électriques ou des blessures.

Afin de réduire les risques d'incendie, de chocs électriques et de blessures, tous les travaux de construction et de câblage doivent être conformes au Code du bâtiment et aux autres règlements qui s'appliquent.

Ne pas faire l'installation des nouvelles prises ni des nouveaux circuits électriques soi-même. Pour minimiser les risques d'incendie, de chocs électriques et de blessures, toujours faire appel à un électricien diplômé.

## Choix et préparation du lieu

Cette section donne les instructions à suivre pour choisir le lieu où sera installé le foyer et pour préparer ce lieu pour installer votre foyer dans le manteau de cheminée Dimplex.

- ① Choisir un endroit approprié, à bonne distance des rideaux, des meubles et des endroits passants et où il n'y a aucun problème d'humidité.
- ② Pour faciliter le branchement électrique, installer le foyer à proximité d'une prise de courant existante (voir NOTA 1).

- ③ Ranger le foyer dans un endroit sûr, sec et à l'abri de la poussière.

**! NOTA :** Les dimensions du foyer sont les suivantes : 661 mm de largeur x 480 mm de hauteur x 223 mm de profondeur. Aucune ventilation supplémentaire n'est nécessaire pour ce foyer.

- ④ Ne pas placer cet appareil directement au-dessous d'une prise de courant.

## Installation du foyer

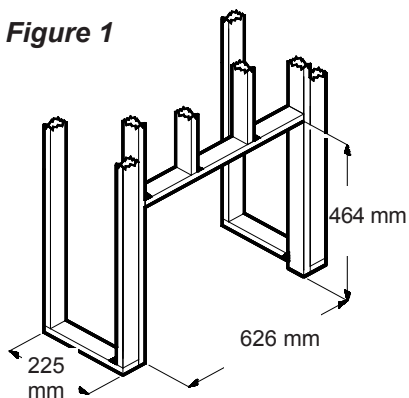
- ① Installer le foyer monté à l'intérieur du manteau de cheminée (consulter les instructions de montage du manteau). Accrocher au manteau selon les instructions de montage.

**! NOTA 1 :** Un circuit de 10 ampères et de 240 volts est nécessaire. Un circuit spécialisé est préférable, mais pas essentiel dans tous les cas. Un circuit spécialisé sera nécessaire si, après l'installation, le disjoncteur se déclenche ou si le fusible saute régulièrement lorsque le foyer fonctionne. L'ajout d'appareils sur un même circuit peut entraîner un dépassement du courant nominal du disjoncteur.

**! IMPORTANT :** Dans le cas où on n'utilise pas un manteau de cheminée Dimplex, le foyer doit être installé dans une enceinte ayant les dimensions internes et d'ouverture MINIMALES suivantes (Figure 1) :

## Installation du foyer

Figure 1



### Installation dans un nouveau mur

- ① Choisir un endroit approprié, à bonne distance des rideaux, des meubles et des endroits passants et où il n'y a aucun problème d'humidité.
- ② Placer le foyer à l'endroit désiré afin de voir l'effet qu'il donnera à la pièce.
- ③ Marquer cet endroit sur le plancher et ranger le foyer dans un endroit sûr, sec et à l'abri de la poussière.
- ④ Utiliser du bois de colombage pour encadrer l'ouverture de 626 mm de largeur x 464 mm de hauteur x 225 mm de profondeur.

**Option 1** - Le cordon d'alimentation peut être passé derrière la garniture du foyer pour longer le mur jusqu'à une prise de courant près du foyer.

**Option 2** – Une nouvelle prise de courant peut être installée sur le nouveau mur. Brancher le foyer à une prise de 10 ampères, 240 volts. Si le fil n'est pas assez long, utiliser une rallonge, s'assurer que celle-ci est tripolaire et capable de supporter une intensité d'au moins 10 ampères.

### Option 3 – Raccordement fixe

- ① Relier le fil à un circuit adéquatement muni d'un fusible de 10 ampères et d'une tension de 240 volts. Allouer jusqu'à 2,4 m de câble permettant le branchement de la source d'alimentation électrique à la boîte de raccordement du foyer si la finition du mur est terminée avant l'installation du foyer.

**⚠ MISE EN GARDE :** Un câble doté d'une gaine non métallique à 2 conducteurs avec fil de mise à la terre (3 fils en tout) est nécessaire pour alimenter le foyer. Utiliser le câblage approprié conformément aux codes de l'électricité locaux et nationaux en ce qui a trait à la consommation d'électricité.

Les moyens de déconnexion doit être incorporé dans le câblage fixe selon les règles.

- ② Retirer la gaine extérieure et dénuder les fils à l'extrémité.
- ③ Dévisser la vis qui tient en place le couvercle de la boîte de



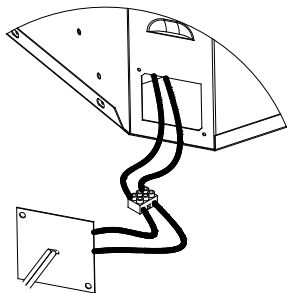
## Installation du foyer

raccordement et enlever le couvercle.

④ Retirer le câble de la boîte de raccordement, desserrer le bloc de jonction et retirer le cordon (Figure 2).

⑤ Faire passer les fils électriques à travers la rondelle défonçable

**Figure 2**



sur l'autre couvercle de boîte de raccordement fourni et fixer avec un serre-câble (non fourni) (Figure 3).

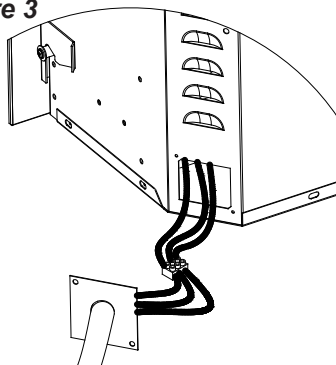
⑥ Brancher le fil sous tension de l'appareil au fil sous tension de l'alimentation électrique (Figure 3).

⑦ Brancher le fil neutre de l'appareil au fil neutre de l'alimentation électrique (Figure 3).

⑧ Raccorder le fil vert (mis à la terre) de l'appareil au fil vert de la source d'alimentation électrique (Figure 3).

⑨ Placer tous les connecteurs à l'intérieur de l'appareil et fixer le couvercle de la boîte de

**Figure 3**



raccordement à l'appareil. Veiller à ce que le serre câble ne serre que la gaine extérieure du câble.

**⚠ MISE EN GARDE :** Les deux pattes en caoutchouc procurent le dégagement nécessaire à la circulation de l'air sous le foyer.

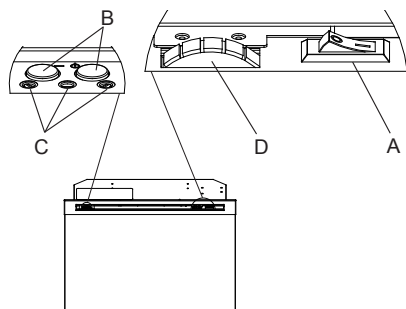
**Ne pas installer le foyer directement sur un tapis ou toute autre surface susceptible de réduire la circulation d'air sous l'appareil.**

En cas d'installation du foyer sur une surface couverte de tapis, le placer d'abord sur une surface unie, droite et solide. S'assurer que les deux pattes du foyer reposent bien sur cette surface.

**! NOTA:** Fixer l'unité avec des vis dans le panneau inférieur sous l'ensemble du journal. Voir Fig. 7.

### Commande manuelle du foyer électrique

Figure 4



#### **A. Interrupteur principal Marche/ Arrêt**

L'interrupteur principal Marche/Arrêt (On/Off) alimente toutes les fonctions du foyer.

#### **B. Boutons de commande manuelle**

Utiliser les boutons de commande manuelle pour contrôler les fonctions du foyer manuellement.

Une fois le foyer en marche, appuyer sur le bouton « I » pour basculer entre les trois niveaux de fonctionnement du foyer :

Niveau 1 : L'effet de flamme est en marche et le premier témoin lumineux est allumé. Niveau 2 : L'effet de flamme se maintient, les éléments chauffants fonctionnent au plus bas niveau, et les premier et deuxième témoins lumineux sont allumés.

Niveau 3 : L'effet de flamme se maintient, les éléments chauffants fonctionnent au plus haut niveau et les trois témoins lumineux sont allumés.

À tout moment, il est possible d'éteindre le foyer en appuyant sur le bouton « O ».

#### **C. Témoins lumineux**

Les témoins lumineux s'allument à mesure que le foyer atteint les différents niveaux de fonctionnement.

#### **D. Commande du thermostat**

Pour régler la température selon vos besoins, tourner complètement le bouton de commande du thermostat vers le haut, ce qui activera le chauffage. Une fois que la température voulue est atteinte, tourner le bouton du thermostat vers la gauche, jusqu'à ce qu'un clic se fasse entendre. Laisser le bouton dans cette position pour maintenir cette température dans la pièce. Pour augmenter la température, tourner de nouveau le bouton du thermostat vers la droite, jusqu'à ce que le clic se fasse entendre. Le chauffage sera alors activé.

### **Réarmement du disjoncteur du circuit de la température**

En cas de surchauffe, un coupe-circuit automatique éteindra

## Utilisation

automatiquement le foyer, qui ne pourra être remis en marche tant que l'appareil n'aura pas été réarmé. Le réarmement de l'appareil s'effectue en mettant l'interrupteur principal Marche/Arrêt (On/Off) à la position Arrêt (« O ») et en attendant cinq (5) minutes avant de le remettre à la position Marche (ON).

**⚠ MISE EN GARDE :** S'il est nécessaire de réarmer constamment l'appareil, le débrancher et communiquer avec le service à la clientèle.

**⚠ MISE EN GARDE :** Pour éviter les dangers engendrés par le réarmement involontaire du protecteur thermique, ne pas brancher cet appareil à un dispositif de connexion externe tel qu'une minuterie, ni le connecter à un circuit qui s'ouvre et se ferme régulièrement.

### Utilisation de la télécommande

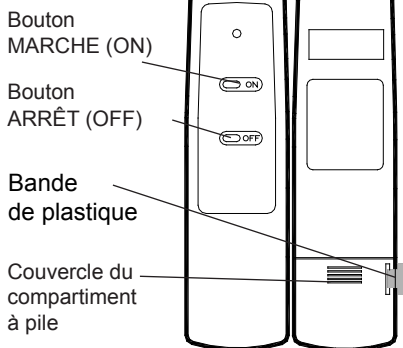
Une télécommande à radiofréquence est fournie avec le foyer. Cette télécommande a une portée d'environ 15 m. Il n'est pas nécessaire de la pointer vers le foyer : elle peut franchir la plupart des obstacles (y compris les murs).

La télécommande est dotée d'une des centaines de fréquences indépendantes programmées pour

empêcher l'interférence avec les autres appareils.

**! NOTA :** Avant d'essayer de faire fonctionner la télécommande, retirer la bande isolante de plastique qui se trouve entre le boîtier de la télécommande et le couvercle du compartiment à pile (Figure 5).

**Figure 5**



### Initialisation de la télécommande

Si la télécommande éprouve des difficultés à communiquer avec le récepteur, ou si la carte électronique de la télécommande ou du récepteur a été remplacée, il est possible que la télécommande ait besoin d'être initialisée.

Pour commencer, le foyer doit être éteint :

- ① S'assurer que le foyer est

## Utilisation

alimenté en électricité par la boîte électrique principale.

- ② Repérer les boutons de commande manuelle, puis mettre l'interrupteur Marche/Arrêt (On/Off) à la position Marche (On) (Figure 4-A).
- ③ Appuyer sur le bouton « I » (Figure 4-B) et le tenir enfoncé jusqu'à ce que tous les témoins lumineux clignotent.
- ④ Appuyer sur la touche MARCHE (ON) de la télécommande. Les témoins lumineux clignotent rapidement, puis s'éteignent.

### Utilisation de la télécommande

La télécommande permet de basculer successivement entre les niveaux de fonctionnement du foyer (à partir de la position d'arrêt) : flamme seulement, flamme et niveau de chaleur bas, flamme et niveau de chaleur élevé.

Le niveau de chaleur augmente chaque fois que la touche MARCHE (ON) de la télécommande est enfoncée, et il est possible d'éteindre le foyer en tout temps en appuyant sur la touche ARRÊT (OFF).

### Remplacement de la pile (Figure 5)

Pour remplacer la pile :

- ① Ouvrir le compartiment à pile situé sur la télécommande portative.
- ② Installer une (1) pile de 12 volts (A23) dans le compartiment à pile.
- ③ Refermer le couvercle du compartiment.



## Entretien

### Remplacement d'une ampoule électrique

Pour éviter de vous brûler, laissez les ampoules refroidir au moins cinq (5) minutes avant de les toucher.

Les ampoules électriques doivent être remplacées lorsqu'il y a une zone sombre dans les flammes ou quand la clarté et les détails de l'extérieur de la bûche s'amenuisent. Il y a deux (2) ampoules situées sous la bûche, qui produisent l'effet de flammes et de braises.

### Remplacement des ampoules inférieures

Deux (2) ampoules transparentes de style chandelier ou candélabre à culot E-14 (petit), de 60 watts. Exemple : GE 60BC ou Philips 60 CTC.

**Ne pas dépasser 60 watts par ampoule.**

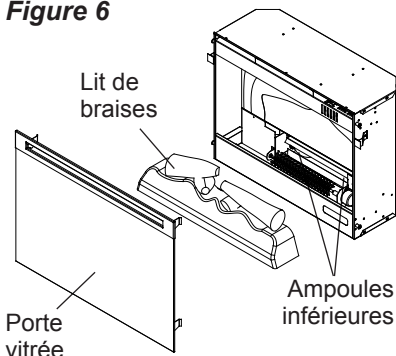
### Conseils utiles

Il est préférable de remplacer toutes les ampoules à la fois si elles approchent de la fin de leur durée de vie. Cela vous évitera d'avoir à ouvrir plusieurs fois le foyer pour remplacer des ampoules.

### Pour accéder à la zone des ampoules inférieures :

① Retirer la porte vitrée.

Figure 6



② Tirer l'extrémité avant du lit de braises en plastique ou de la grille en plastique vers le haut, puis vers l'avant jusqu'à ce que la butée arrière se dégage de l'arrière du miroir (Figure 6).

**! IMPORTANT :** Manipuler l'ensemble par le lit de braises.

**! NOTA :** L'ensemble de bûches est solidement accroché au foyer, il faudra peut-être user de force pour le retirer.

③ Mettre l'ensemble de bûches devant le foyer.

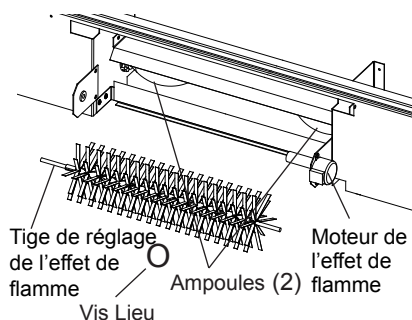
④ Tirer doucement sur la tige de réglage de l'effet de flamme vers la droite aussi loin que possible pour l'insérer dans la bague en caoutchouc de l'arbre du moteur de l'effet de flamme (Figure 7).



## Entretien

**Figure 7**

Vue éclatée montrant les détails



- ⑤ Dévisser les ampoules dans le sens anti-horaire
- ⑥ Installer de nouvelles ampoules.
- ⑦ Replacer l'ensemble de bûches en insérant le devant du lit de braises et pousser sur l'extrémité arrière du lit de braises jusqu'à ce qu'il s'enclenche (Figure 8).

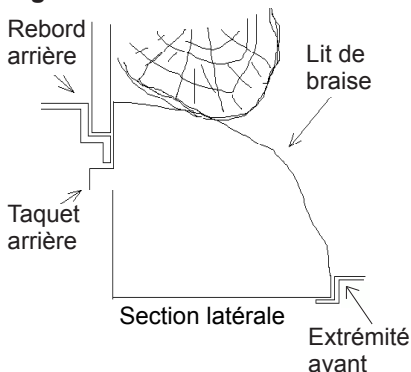
**! NOTA :** S'assurer que l'ensemble de bûches est installé solidement sous le rebord arrière afin de prévenir la perte de lumière.

- ⑧ Replacer la porte vitrée.

### Nettoyage de la vitre

La porte vitrée a été nettoyée à l'usine lors de l'assemblage. Cependant, durant le transport, l'installation, la manipulation, etc.,

**Figure 8**



la porte vitrée peut se couvrir de particules de poussière. Pour les faire disparaître, épousseter la vitre à l'aide d'un chiffon propre et sec.

Pour enlever les empreintes digitales ou autres marques, la porte vitrée peut être nettoyée avec un chiffon humide. Pour éviter de rayer la surface de verre, ne pas utiliser de nettoyeurs abrasifs ou de vaporisateurs liquides.

### Nettoyage des surfaces du foyer électrique

Nettoyer les surfaces peintes du foyer électrique avec un chiffon humide et de l'eau tiède. Ne pas utiliser de nettoyeurs abrasifs.

## Liste des pièces de rechange

1. Ensemble de bûches . . . . .	0439970100RP
2. Moteur de l'effet de flamme . . . . .	2000210100RP
3. Élément chauffant . . . . .	2200491100RP
4. Thermostat . . . . .	2300150100RP
5. Thermorupteur . . . . .	2300270100RP
6. Faisceau de câbles. . . . .	2500400500RP
7. Interrupteur marche/arrêt (On/Off) . . . . .	2800070700RP
8. Récepteur pour la télécommande . . . . .	3000380200RP
9. Bloc de raccord . . . . .	4000080100RP
10. Cordon . . . . .	4100040300RP
11. Tige de réglage de l'effet de flamme. . . . .	5901110100RP
12. Vitre frontale . . . . .	5901400100RP
13. Miroir. . . . .	5901410200RP
14. Bouton de commande . . . . .	8801080100RP
15. Télécommande . . . . .	3000370500RP



## Garantie

Les foyers électriques Dimplex sont testés et inspectés avant d'être expédiés. Ils sont garantis contre tout défaut pour l'acheteur de chaque nouveau produit. Toute pièce qui fait défaut en deçà de un an, en ce qui a trait aux matériaux ou à la fabrication, dans des conditions normales d'utilisation, sera réparée ou remplacée sans frais. \* Dimplex n'assume aucune responsabilité pour les frais engagés dans l'installation ou l'enlèvement du foyer, ou pour les coûts de transport. Toute défectuosité doit être portée à l'attention du dépositaire où le produit a été acheté, lequel est autorisé à réparer ou à remplacer la pièce conformément aux modalités de la présente garantie.

La seule obligation de Dimplex au titre de la présente garantie consiste à réparer ou à remplacer toute pièce défectueuse, ou à rembourser à l'acheteur le prix d'achat de l'appareil et ce, à sa seule discrétion.

Le propriétaire assume tous les autres risques, s'il en est, y compris les risques de **dommages directs, indirects ou consécutifs découlant de l'utilisation du produit ou de l'impossibilité de l'utiliser.**

**La garantie ne s'applique pas si, au seul jugement de Dimplex, les dommages ou les défaillances découlent d'un accident, d'une modification, d'un mauvais emploi, d'un emploi abusif, d'une installation incorrecte ou d'une utilisation à partir d'une source d'électricité inadéquate.**

La présente garantie remplace toutes les autres garanties explicites, tacites ou légales. Dimplex n'assume ni n'autorise personne à assumer toute autre obligation ou responsabilité en ce qui a trait audit produit.

**\* La garantie ne couvre pas les ampoules électriques.**

## Service

Communiquer avec votre dépositaire pour obtenir des renseignements au sujet du service ou de la garantie.

## Recyclage




Pour les produits électriques vendus dans l'Union européenne. À la fin de la durée de vie utile des produits électriques, ceux-ci ne doivent pas être mis au rebut avec les ordures ménagères. Veiller à les recycler dans des installations spécialisées. Vérifier auprès des autorités locales ou de votre détaillant s'ils peuvent vous donner des conseils en matière de recyclage dans votre pays.



Ce produit est conforme à la norme de sécurité européenne EN60335-2-30 ainsi qu'aux normes européennes de compatibilité électromagnétique (EMC) EN55014, EN61000 et EN50366, qui couvrent les exigences essentielles des directives EEG 2006/95 et 2004/108.



<b>1. Warranty Card</b>  	<b>2. Guarantee Period (in Years)</b>	<b>3. Model(s)</b>	<b>4. Date of Purchase</b>
<b>5. Stamp &amp; Signature of retailer</b>			
<b>6. Fault/Defect</b>			
<b>7. Contact Number &amp; Address</b>			
<b>DE</b> Glen Dimplex Deutschland GmbH ewt-Kundendienst +49 (911) 1805 / 398 346 Fax. +49 (911) 1805 / 355 467 (12Ct./Min aus dem dt. Festnetz) service@dimplex.de	<b>FR</b> Glen Dimplex France ZI Petite Montagne Sud 12 rue des Cévennes 91017 EVRY - LISSES www.glendimplex-france.fr	<b>IT</b> Glen-Dimplex Italia S.r.l. via delle Rose 7, 24040 lalio (BG) 035-201042 Fax. 035-200492 info@glendimplex.it	<b>NZ</b> Glen Dimplex Australasia 38 Harris Road East Tamaki Auckland New Zealand +64 9 274 8265 Fax. +64 9 274 8472 sales@glendimplex.co.nz
<b>UK</b> Glen Dimplex UK Limited Millbrook House Grange Drive Hedge End Southampton Hampshire. SO30 2DF 0845 600 5111 Fax. 01489 773053 customer.services@glendimplex.com	<b>ES</b> Glen Dimplex España S.L. C/ Bailén, 20, 4º 2ª e-08010 BARCELONA (+34) 93.238.61.59 Fax. (+34) 932384375	<b>AU</b> Glen Dimplex Australia PTY Ltd Unit 2, 205 Abbotts Road Dandenong Melbourne Victoria 3175 Australia +61 3 87873567 Fax. +61 3 87873570 salesgo@glendimplex.com.au	

**UK / AU / NZ**

1. Warranty Card
2. Guarantee Period (in Years)
3. Model(s)
4. Date of Purchase
5. Stamp & Signature of retailer
6. Fault/Defect
7. Contact Number & Address

**DE**

1. Garantiekarte
2. Garantiezeitraum (in Jahre)
3. Modell(e)
4. Kaufdatum
5. Stempel & Unterschrift des Einzelhändlers
6. Fehler/Defekt
7. Kontakt-Teil-,Nr. - Anschrift

**FR**

1. Bon de garantie
2. Période de garantie (en années)
3. Modèle(s)
4. Date d'achat
5. Cachet et signature du vendeur
6. Anomalie/Défaut
7. Nom et adresse du contact

**IT**

1. Scheda di garanzia
2. Periodo di garanzia (in anni)
3. Modello(i)
4. Data di acquisto
5. Timbro e firma del rivenditore
6. Guasto/difetto
7. Indirizzo e numero di contatto

**ES**

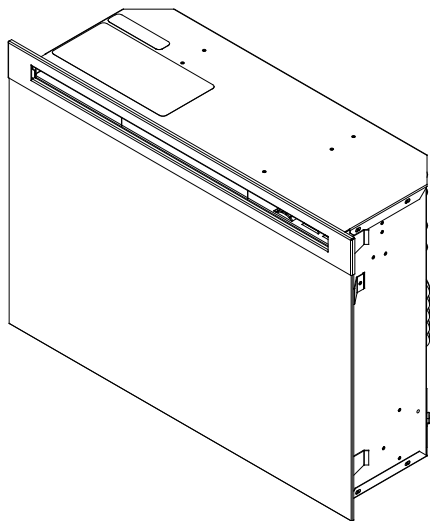
1. Tarjeta de garantía
2. Periodo de garantía (en años)
3. Modelo(s)
4. Fecha de adquisición
5. Sello y firma del distribuidor
6. Avería/Defecto
7. Número y dirección de contacto

**UA**

1. Гарантійний формуляр
2. Строк гарантії (років)
3. Модель(-и)
4. Дата придбання
5. Штамп і підпис дилера
6. Дефект
7. Контактна адреса та телефон

**RU**

1. Гарантийный формуляр
2. Срок гарантии (лет)
3. Модель(-и)
4. Дата приобретения
5. Печать и подпись дилера
6. Дефект
7. Контактный адрес и телефон



## Manual del propietario

Modelo  
DF2550-EU

EN

RU

UA

FR

ES

IT

DE

PO












**INFORMACIÓN DE SEGURIDAD IMPORTANTE:** Siempre lea este manual antes de intentar instalar o usar esta chimenea. Para su seguridad, siempre siga todas las advertencias y las instrucciones de seguridad detalladas en este manual para evitar lesiones personales o daños materiales.

7210730100R03



## Índice

	Bienvenida y felicitaciones . . . . .	3
	INSTRUCCIONES IMPORTANTES . . . . .	4
	Guía de consulta rápida . . . . .	6
	Elección y preparación del emplazamiento	6
	Instalación de la chimenea . . . . .	7
	Funcionamiento. . . . .	10
	Mantenimiento. . . . .	13
	Lista de repuestos . . . . .	15
	Garantía . . . . .	16

Recurra siempre a un técnico cualificado o a una agencia de servicio técnico para reparar esta chimenea.

**! NOTA:** Procedimientos y técnicas que se consideran lo bastante importantes como para resaltarlos.

**! PRECAUCIÓN:** Procedimientos y técnicas que, si no se respetan escrupulosamente, dañarán el equipo.

**! ADVERTENCIA:** Procedimientos y técnicas que, si no se respetan escrupulosamente, expondrán al usuario a riesgo de incendio, lesiones graves o muerte.



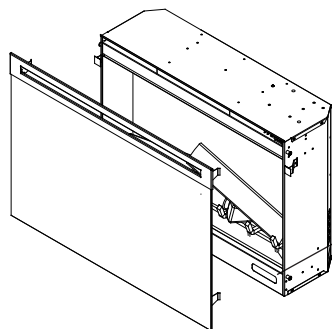
## Bienvenida y felicitaciones

Gracias y felicitaciones por haber comprado una chimenea eléctrica de Dimplex, el líder del mundo en chimeneas eléctricas.

**Lea atentamente y guarde estas instrucciones.**

**⚠ PRECAUCIÓN:** Lea atentamente todas las instrucciones y advertencias antes de comenzar la instalación. Si no sigue estas instrucciones, puede provocar descargas eléctricas, un posible peligro de incendio y la anulación de la garantía.

Anote los números de modelo y de serie de su chimenea que se muestran a continuación para cualquier consulta: el números de modelo y de serie se encuentran en la etiqueta de Etiqueta con los números de modelo y de serie de su chimenea.



Número de modelo

MODEL/CAT. No.  MOD.

SERIAL No.

Número de serie



**NO ES NECESARIO  
REGRESAR A LA  
TIENDA**

¿Tiene alguna pregunta sobre el ensamblaje?

¿Necesita información sobre las piezas?

¿El producto está bajo garantía del fabricante?




**Llame a su distribuidor local.**

Tenga el número de modelo y el número de serie del producto a la mano. (Vea a continuación)

# INSTRUCCIONES IMPORTANTES

- ① Lea todas las instrucciones antes de usar el calentador de aire eléctrico.
- ② El calentador de aire se pone caliente al usarlo. Para evitar quemaduras, no toque las superficies calientes con la piel al aire. El reborde situado alrededor de la salida de aire del calentador se calienta durante su funcionamiento. Mantenga los materiales combustibles, como el mobiliario, almohadas, ropa de cama, papeles, ropa y cortinas alejados al menos 0,9 m de la parte delantera del aparato.
- ③ Extremar la precaución cuando use cualquier calentador de aire cerca de los niños o inválidos o bien sean ellos quienes lo manejen y siempre que se deje el aparato en funcionamiento y sin vigilancia.
- ④ Desenchufe siempre el calentador de aire eléctrico cuando no se esté usando.
- ⑤ No haga funcionar ningún aparato con un cable o enchufe dañado, ni si el calentador de aire funciona mal ni si se ha caído o presenta cualquier daño. Devuelva el calentador de aire a un servicio de asistencia técnica autorizado para su examen, regulación eléctrica o mecánica o reparación.
- ⑥ No use este aparato a la intemperie.
- ⑦ El calentador eléctrico de aire no se ha diseñado para uso en baños, zonas de lavado y recintos similares. No coloque el calentador de aire en aquellos sitios donde pueda caer en una bañera o en cualquier otro recipiente de agua.
- ⑧ No coloque el cable por debajo de las alfombras. No cubra el cable con esteras, alfombrillas o artículos similares. Sitúe el cable alejado de las zonas de paso y en donde no se tropiece.
- ⑨ Para desconectar el aparato, apague los mandos y, luego, retire el enchufe de la toma.
- ⑩ No introduzca ni deje que entren cuerpos extraños en los orificios de ventilación o escape ya que ello puede provocar una descarga eléctrica o un incendio, o bien deteriorar el calentador de aire.
- ⑪ Para evitar cualquier posible incendio, no bloquee la entrada ni la salida de aire bajo ningún concepto. No utilice el aparato en superficies blandas, como en una cama, en la que puedan bloquearse las aberturas.
- ⑫ Todos los calentadores eléctricos de aire tienen dentro piezas calientes o que provocan chispas o arcos eléctricos. No use el calentador en zonas en las que se empleen o almacenen gasolina, pintura o líquidos inflamables o donde el aparato quede expuesto a vapores inflamables.
- ⑬ No modifique el calentador de aire eléctrico. Úselo tal como se describe en el presente manual. Cualquier otro uso que no haya sido recomendado por el fabricante puede causar un incendio, una descarga eléctrica o lesiones a las personas.

# INSTRUCCIONES IMPORTANTES

- ⑭ No cambie el enchufe de ningún modo. Evite el uso de un cable tipo alargadera. Los cables tipo alargadera pueden recalentarse y provocar un riesgo de incendio. Si debe usar un cable tipo alargadera, el cable debe ser tripolar y tener una capacidad nominal de no menos de 10 amperios.
- ⑮ No queme madera ni otros materiales en el calentador de aire eléctrico.
- ⑯ No golpee el cristal del calentador de aire.
- ⑰ Acuda siempre a un electricista homologado en el caso de que le hagan falta nuevos circuitos o tomas.
- ⑱ Use siempre enchufes bien puestos a tierra y dotados de fusibles.
- ⑲ Desconecte todas las fuentes de energía antes de realizar cualquier limpieza, mantenimiento o cambio de sitio de la unidad.
- ⑳ Cuando se transporten o almacenen el aparato y el cable, manténgalo en un sitio seco, libre de vibraciones excesivas, y almacenado de modo que se evite cualquier perjuicio.
- ㉑ Este aparato no ha sido diseñado para ser utilizado por personas (incluidos niños) con capacidades físicas, sensoriales o mentales reducidas o con falta de experiencia y conocimientos, a menos que hayan sido supervisadas o hayan recibido instrucciones acerca del uso del aparato por parte de una persona responsable por su seguridad.
- ㉒ Se debe supervisar a los niños para asegurarse de que no jueguen con el aparato.
- ㉓ Si el cable de alimentación está dañado, debe ser reemplazado por el fabricante, su operador del servicio técnico o una persona con capacitación similar, para evitar cualquier peligro.
-  Advertencia: Para evitar el sobrecalentamiento, no cubra el calentador.

---

El calefactor tiene un símbolo de Advertencia  que indica que no debe estar cubierto.



**PRECAUCIÓN**  
RIESGO DE DESCARGA ELÉCTRICA - NO ABRIR  
NO CONTIENE PIEZAS QUE PUEDAN SER  
REPARADAS POR EL USUARIO



## GUARDE ESTAS INSTRUCCIONES



## Guía de consulta rápida

① Antes de usar por primera vez el calentador de aire, compruebe lo siguiente:

- ¿Están conectados los disyuntores del aparato?
- ¿Están flojas las bombillas del calentador de aire? (Para comprobarlo, siga las instrucciones de cambio de las bombillas en la sección de Mantenimiento de este manual.)

② El elemento calefactor del calentador de aire puede emitir un ligero olor, no nocivo, cuando se use por primera vez. Este olor es normal y está causado por el calentamiento inicial de las piezas del calefactor interno y no se volverá a reproducir.

③ La información correspondiente al modelo concreto de su calentador de aire la puede encontrar en la placa de datos situada en la parte trasera del aparato.



## Elección y preparación del emplazamiento

**! NOTA 1:** Hace falta un circuito de 240 vatios y 10 amperios. Es preferible disponer de un circuito exclusivo, pero no es esencial en todos los casos. Hará falta un circuito exclusivo si, después de la instalación, el disyuntor salta o se funden los fusibles con cierta frecuencia al poner en marcha el calentador. El enchufar otros aparatos en el mismo circuito puede superar la corriente nominal del disyuntor.

**⚠ ADVERTENCIA:** Asegúrese de que al montar el cable de alimentación no queda atrapado ni apoyado contra aristas vivas y cerciórese de que el cable está

bien guardado o sujeto para evitar tropiezos o enganchones y reducir así el riesgo de incendio, descarga eléctrica o lesiones a las personas.

El cableado eléctrico de la toma debe cumplir con las ordenanzas de construcción municipales y con la demás reglamentación aplicable a fin de reducir el riesgo de incendio, descarga eléctrica y lesiones.

No intente cablear usted mismo los nuevos circuitos o tomas. Para reducir el riesgo de incendio, descarga eléctrica o lesiones, acuda siempre a un electricista homologado.



## Elección y preparación del emplazamiento

Esta sección proporciona instrucciones para seleccionar un emplazamiento y prepararlo con objeto de instalar el calentador de aire en el manto Dimplex.

- ① Seleccione un sitio adecuado que no sea sensible a la humedad y que se encuentre alejado de las cortinas, mobiliario y mucho paso.
- ② Para facilitar la conexión es deseable situar el calentador de aire cerca de un enchufe ya existente (consulte la NOTA 1).

- ③ Almacene el calentador de aire en un lugar seguro, seco y libre de polvo.

**! NOTA:** Las dimensiones del calentador de aire son 661 mm de ancho x 480 mm de alto x 223 mm de fondo. El calentador de aire no requiere ninguna ventilación adicional.

- ④ No debe ubicarse el calentador justo debajo de una toma de corriente.

## Instalación de la chimenea

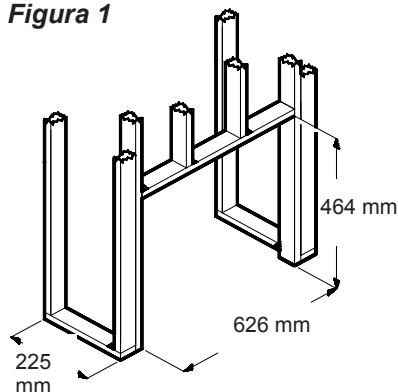
- ① Instale el calentador de aire en el manto (consulte las instrucciones de montaje del manto).

**! NOTA 1:** Hace falta un circuito de 240 voltios y 10 amperios. Es preferible disponer de un circuito exclusivo, pero no es esencial en todos los casos. Hará falta un circuito exclusivo si, después de la instalación, el disyuntor salta o se funden los fusibles con cierta frecuencia al poner en marcha el calentador. El enchufar otros aparatos en el mismo circuito puede superar la corriente nominal del disyuntor.

**! IMPORTANTE:** Si no usa un manto Dimplex, el calentador de aire debe instalarse en un recinto con las dimensiones internas/abertura **MÍNIMAS** siguientes (Figura 1).

## Instalación de la chimenea

Figura 1



### Nueva construcción en la pared

- 1 Seleccione un sitio adecuado que no sea sensible a la humedad y que se encuentre alejado de las cortinas, mobiliario y mucho paso.
- 2 Coloque el calentador de aire en el sitio deseado para ver cómo queda en la habitación.
- 3 Marque el lugar escogido en el suelo y guarde la chimenea en un lugar seguro, seco y libre de polvo.
- 4 Use tacos para enmarcar una abertura de 626 mm de ancho x 464 mm de alto x 225 mm de fondo.

**Opción n° 1** - El cable de alimentación puede ir desde detrás del adorno y por la pared hasta un enchufe situado cerca de la

chimenea.

**Opción n° 2** - A Puede instalarse un enchufe nuevo dentro de la nueva construcción del marco. Enchufe el aparato a un cable tipo alargadera, el cable debe ser tripolar y tener una capacidad nominal de no menos de 10 amperios.

### Opción n° 3 - Cableado

1 Dedique un circuito independiente de 240 voltios y 10 amperios, con su correspondiente fusible. Cuando una vez acabada la pared vaya a instalar el aparato, deje unos 2,4 m de cable para conectar el suministro de corriente a la caja de empalme de la chimenea.

**⚠ PRECAUCIÓN:** Use un cable bipolar y cable de tierra (trifilar en total) con vaina no metálica para suministrar corriente a los bornes del calentador de aire. Use el cable adecuado al consumo nominal de acuerdo con la reglamentación nacional y municipal.

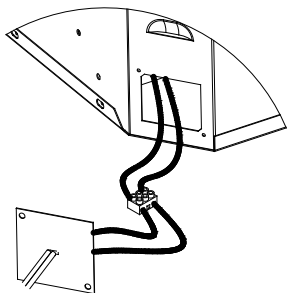
Incorporar medios de desconexión en el cableado fijo de acuerdo a las reglas.

- 2 Quite la vaina exterior y pele los extremos de cada hilo conductor.
- 3 Afloje el tornillo que sujeta la tapa de la caja de empalme y quite la tapa.

## Instalación de la chimenea

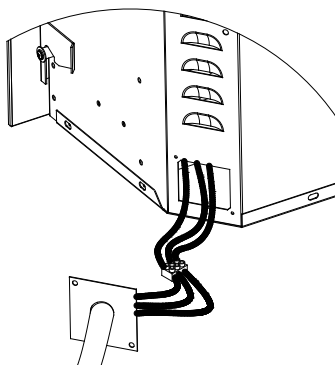
- ④ Saque los cables de la caja de uniones, afloje las regletas de bornes y retire el conjunto de cables (Figura 2).

**Figura 2**



- ⑤ Pase el cable de alimentación de corriente por el orificio de la tapa de la caja de empalme y sujételo con una abrazadera (no se suministra) (Figura 3).

**Figure 3**



- ⑥ Conecte el cable energizado de la unidad al cable energizado de la fuente de alimentación (Figura 3).

- ⑦ Conecte el cable neutro de la unidad al cable neutro de la fuente de alimentación (Figura 3).

- ⑧ Conecte el cable verde (tierra) del aparato con el cable verde del cable de suministro de corriente (Figura 3).

- ⑨ Coloque todos los conectores dentro del aparato y atornille la tapa de la caja de empalmes al aparato. Compruebe que la abrazadera del cable aprieta sólo la vaina del cable.

**⚠ PRECAUCIÓN:** El hueco para que circule el aire por debajo del alojamiento de la chimenea se obtiene con las dos patas de goma.

**No instale el alojamiento del calentador de aire directamente en alfombras o superficies análogas que puedan restringir la circulación de aire.**

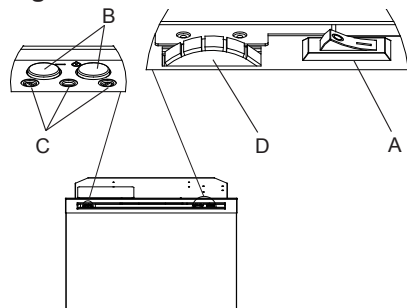
Si se instala el calentador de aire en una zona alfombrada, coloque un elemento sólido, liso, de una sola pieza bajo el alojamiento del calentador de aire. Asegúrese de que ambas patas del alojamiento del calentador de aire descansan bien en dicha superficie.

NOTA: Fije la unidad con tornillos en el panel inferior en el marco del conjunto de registros. Véase la figura. 7.

## Funcionamiento

### Control manual del calentador eléctrico de aire

Figura 4



#### A. Interruptor principal On/Off (Encendido/Apagado)

El interruptor principal On/Off (Encendido/Apagado) suministra alimentación a todas las funciones del calentador de aire.

#### B. Botones de selección manual

Los botones de selección manual operan manualmente las funciones del calentador de aire. Una vez que se enciende el calentador de aire, al presionar el botón “ I ”, avanzará por los tres niveles de funcionamiento del calentador de aire:

Nivel 1: El efecto de llama se enciende, y la primera luz indicadora se activa. Nivel 2: El efecto de llama se mantiene encendido, el calefactor se activa con el ajuste de

temperatura baja, y las dos primeras luces indicadoras se iluminan. Nivel 3: El efecto de llama permanece encendido, el calefactor se activa con el ajuste de temperatura alta, y las tres (3) luces indicadoras se iluminan.

Presionar el botón “ O ” en cualquier momento apagará el calentador de aire.

#### C. Luces indicadoras

Las luces indicadoras se iluminarán cuando el calentador de aire ingrese en los diferentes niveles de función.

#### D. Control del termostato del calefactor

Para ajustar la temperatura a sus necesidades individuales, gire el control del termostato hacia arriba completamente para encender el calefactor. Cuando la habitación alcance la temperatura deseada, gire la perilla del termostato hacia abajo, hasta que escuche un clic. Deje la perilla en esta posición para mantener la temperatura de la habitación en esta configuración. Para aumentar el nivel de calor, gire la perilla hacia arriba, hasta que vuelva a escuchar el clic, y el calefactor se encenderá.

## 👉 Funcionamiento

### Reconfiguración del interruptor de corte de temperatura

Si el calefactor se sobrecalienta, un cortacircuitos automático apagará el calentador de aire, y no se volverá a encender si no lo reconfigura. Puede reconfigurarse colocando el interruptor principal On/Off (Encendido/Apagado) en Off (Apagado), (“O”), y esperando cinco (5) minutos antes de volver a encender la unidad.

**⚠ PRECAUCIÓN:** Si necesita reconfigurar el calentador continuamente, desconecte la energía y llame al Servicio de atención al cliente.

**⚠ PRECAUCIÓN:** Para evitar un peligro debido a un cambio involuntario de un corte térmico, este aparato no debe recibir alimentación a través de un dispositivo de conmutación externo, como un temporizador, ni debe conectarse a un circuito que las compañías de servicios públicos enciendan y apaguen regularmente.

### Funcionamiento a distancia

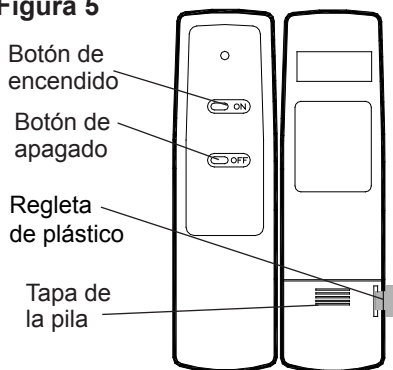
El calentador de aire cuenta con un mando a distancia de frecuencia radial. Este mando a distancia tiene

un alcance aproximado de 15 m; no debe apuntarse hacia el calentador de aire y puede atravesar la mayor parte de los obstáculos (incluidas paredes).

El mando a distancia cuenta con una de numerosas frecuencias independientes, a fin de evitar interferencias con otras unidades.

**! NOTA:** Antes de intentar realizar cualquier operación con el mando a distancia, tire de la regleta aislante de plástico que está entre la carcasa del mando a distancia y la tapa de la batería (Figura 5).

Figura 5



### Programación del mando a distancia

Si su mando a distancia tiene dificultades para comunicarse con el receptor del mando a distancia, o si el mando a distancia o el panel

## **Funcionamiento**

receptor deben reemplazarse, es posible que tenga que programar el mando a distancia.

Desde un estado apagado:

- ① Asegúrese de que el calentador de aire reciba alimentación mediante el panel principal de servicio.
- ② Ubique los controles manuales y active el interruptor principal On/Off (encendido/apagado), (Figura 4-A).
- ③ Presione y sostenga el botón “ I ” (Figura 4-B) hasta que todas las luces indicadoras parpadeen.
- ④ Presione el botón ON (ENCENDIDO) en el mando a distancia. Las luces indicadoras parpadearán rápidamente y, luego, se apagarán.

### **Uso del mando a distancia**

El mando a distancia hace funcionar los niveles del calentador de aire secuencialmente (desde apagado): sólo llamas; hasta llamas y temperatura baja; hasta llamas y temperatura alta.

El nivel se incrementa cada vez que se presiona el botón ON (ENCENDIDO) en el transmisor del mando a distancia; se puede apagar el calentador de aire en cualquier momento presionando el botón OFF (APAGADO)..

### **Reemplazo de la pila** (Figura 5)

Para reemplazar la pila:

- ① Deslice la tapa de la pila para abrirla en el transmisor manual.
- ② Instale una (1) pila de 12 voltios (A23) en el portapila.
- ③ Cierre la tapa de la pila.



## Mantenimiento

### Cambio de las bombillas

Deje que transcurran cinco (5) minutos para dar tiempo a que se enfíen las bombillas antes de tocarlas; así evitará el que se pueda quemar por accidente.

Hay que cambiar las bombillas cuando observe una parte oscura en la llama o cuando desaparezcan la claridad y detalles del lecho de brasas del tronco. Hay dos (2) bombillas debajo del tronco, encargadas de generar las llamas y las brasas.

### Características de las bombillas inferiores

Dos (2) bombillas transparentes de 60 vatio, tipo candelabro, con casquillo (pequeño) E-14. Ejemplo: GE 60BC o Philips 60 CTC.

**No supere los 60W por bombilla.**

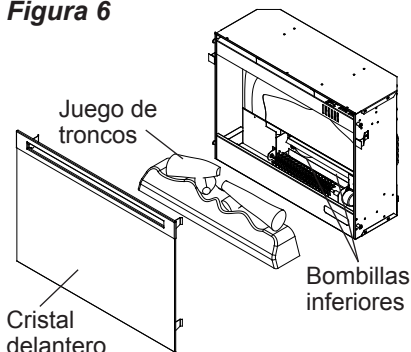
### Consejos útiles

Es buena idea cambiar todas las bombillas de una vez si es que están todas al final de su vida útil. Si sustituye todas las bombillas a la vez, reducirá el número de veces que tendrá que abrir el calentador de aire para cambiar las bombillas.

### Para acceder a la zona de bombillas inferiores:

① Quite el cristal delantero.

Figura 6



② Suba o baje el borde delantero del lecho de brasas de plástico o de la rejilla de plástico hasta que la pestaña trasera se suelte del reborde situado en la parte inferior del espejo (Figura 6).

**! IMPORTANTE:** Maneje el juego de troncos sólo por el lecho de brasas.

**! NOTA:** El juego de troncos encaja perfectamente en la caja del calentador de aire, puede que haya que hacer algo de fuerza para sacarlo.

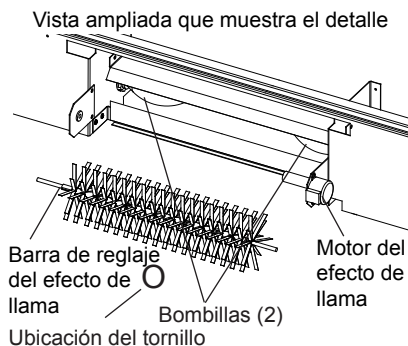
③ Coloque el juego de troncos delante del calentador de aire.

④ Mueva con cuidado la barra de reglaje del efecto de llama lo más que pueda dentro del cojinete de hule del árbol del motor del efecto de llama (Figura 7).



## Mantenimiento

**Figura 7**



⑤ Desenrosque las bombillas en sentido contrario al de las agujas del reloj.

⑥ Coloque unas bombillas nuevas.

⑦ Vuelva a colocar el juego de troncos introduciendo el borde delantero del calentador de aire y empujando hacia abajo en el borde posterior del lecho de brasas hasta que encaje en su sitio (Figura 8).

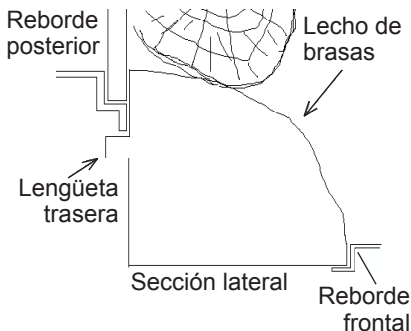
**! NOTA:** Compruebe que está bien montado el juego de troncos debajo del reborde posterior para evitar que se escape la luz.

⑧ Vuelva a colocar el cristal delantero.

### Limpeza del cristal

El cristal se limpia en fábrica durante la fase de montaje. En la

**Figura 8**



expedición, instalación, manejo, etc. el cristal puede acumular partículas de polvo; éstas pueden eliminarse desempolvando suavemente con un trapo limpio y seco.

Para eliminar las huellas dactilares u otras marcas, debe limpiarse el cristal con un paño húmedo. Para evitar que se raye, no use limpiadores abrasivos ni rocíe líquidos en la superficie del cristal.

### Limpeza de la superficie del calentador de aire

Emplee un paño humedecido sólo con agua caliente para limpiar las superficies pintadas del calentador de aire eléctrico. No use limpiadores abrasivos.





## Lista de repuestos

1. Juego de leños . . . . .	0439970100RP
2. Motor del efecto de llama . . . . .	2000210100RP
3. Ensamblaje del calentador de aire . . . . .	2200491100RP
4. Termostato . . . . .	2300150100RP
5. Recorte . . . . .	2300270100RP
6. Mazo de cables . . . . .	2500400500RP
7. Interruptor principal de Encendido/Apagado . . . . .	2800070700RP
8. Receptor remoto . . . . .	3000380200RP
9. Bloque de terminales . . . . .	4000080100RP
10. Juego de cables . . . . .	4100040300RP
11. Barra de reglaje del efecto de llama . . . . .	5901110100RP
12. Cristal delantero . . . . .	5901400100RP
13. Espejo . . . . .	5901410200RP
14. Control Knob . . . . .	8801080100RP
15. Transmisor remoto . . . . .	3000370500RP



## Garantía

Los calentadores de aire eléctricos Dimplex han sido probados e inspeccionados antes de su envío y el comprador disfruta de una garantía de cada uno de sus nuevos productos contra cualquier defecto. Cualquier pieza que resulte defectuosa en su material o en su fabricación durante un uso normal en el plazo de un año, será reparada o reemplazada sin cargo.\* La empresa no se hace responsable de ningún gasto en el que se incurra por su instalación, desinstalación o mantenimiento, ni tampoco de los gastos de transporte. Cualquier defecto detectado debe indicarse al Distribuidor en el que se compró el producto y que tenga autorización para efectuar una reparación o un cambio, según los términos de la presente garantía.

La única obligación de la empresa según esta garantía será su propio criterio en cuanto a reparar o reemplazar cualquier pieza defectuosa o reembolsar el importe de la compra.

**El propietario/usuario asume el resto de riesgos, si los hubiera, incluidos el riesgo de cualquier daño o pérdida directa, indirecta o especial consecuencia del uso o de no poder usar el producto.**

**La presente garantía no aplica si, a juicio de la Empresa, el daño o el fallo ha sido resultado de un accidente, alteración, mal uso, abuso o una instalación incorrecta, o su funcionamiento sobre una toma eléctrica no adecuada.**

Lo anterior sustituye al resto de garantías expresadas, implícitas o mandatorias, y la Empresa ni asume, ni autoriza a ninguna persona que para que lo asuma en su nombre, ninguna otra obligación o responsabilidad respecto a dicho producto.

**\* La garantía no cubre las lámparas.**

### Servicio

Si requiere servicio o información relacionada con esta garantía, por favor comuníquese con su distribuidor local.


### Reciclaje



Para los productos eléctricos vendidos en la Unión Europea. Al final de la vida útil de los productos eléctricos, el aparato no debe eliminarse con los residuos domésticos. Recicle el producto donde haya instalaciones para ello. Si desea información relacionada con el reciclaje en su país, consulte a la autoridad municipal correspondiente o a su distribuidor.



Este producto cumple con la Norma Europea de Seguridad EN60335-2-30 y con las Normas Europeas de Compatibilidad Electromagnética (EMC) EN55014, EN61000 y EN50366, que cubren los requisitos esenciales de las directivas EEG 2006/95 y 2004/108.

<p><b>1. Warranty Card</b></p> 	<p><b>2. Guarantee Period (in Years)</b></p>	<p><b>3. Model(s)</b></p>	<p><b>4. Date of Purchase</b></p>																
<p><b>5. Stamp &amp; Signature of retailer</b></p>																			
<p><b>7. Contact Number &amp; Address</b></p> <table border="0"> <tr> <td data-bbox="479 91 528 358"> <p><b>DE</b></p> </td> <td data-bbox="479 358 528 674"> <p>Glen Dimplex Deutschland GmbH ewt-Kundendienst +49 (911) 1805 / 398 346 Fax. +49 (911) 1805 / 355 467 (12Ct./Min aus dem dt. Festnetz) service@dimplex.de</p> </td> <td data-bbox="479 674 528 928"> <p><b>FR</b></p> </td> <td data-bbox="479 928 528 1358"> <p>Glen Dimplex France ZI Petite Montagne Sud 12 rue des Cèvennes 91017 EVRY - LISSES www.glendimplex-france.fr</p> </td> </tr> <tr> <td data-bbox="528 91 577 358"> <p><b>UK</b></p> </td> <td data-bbox="528 358 577 674"> <p>Glen Dimplex UK Limited Millbrook House Grange Drive Hedge End Southampton Hampshire. SO30 2DF 0845 600 5111 Fax. 01489 773053 customer.services@dimplex.com</p> </td> <td data-bbox="528 674 577 928"> <p><b>ES</b></p> </td> <td data-bbox="528 928 577 1358"> <p>Glen Dimplex España S.L. C/ Bailén, 20. 4<sup>a</sup>. 2<sup>a</sup> e-08010 BARCELONA (+34) 93.238.61.59 Fax. (+34) 932384375</p> </td> </tr> <tr> <td data-bbox="577 91 625 358"> <p><b>IT</b></p> </td> <td data-bbox="577 358 625 674"> <p>Glen Dimplex Italia S.r.l. via delle Rose 7, 24040 Ialio (BG) 035-201042 Fax. 035-200492 info@glendimplex.it</p> </td> <td data-bbox="577 674 625 928"> <p><b>AU</b></p> </td> <td data-bbox="577 928 625 1358"> <p>Glen Dimplex Australia PTY Ltd Unit 2, 205 Abbotts Road Dandenong Melbourne Victoria 3175 Australia +61 3 87873567 Fax. +61 3 87873570 salesgd@glendimplex.com.au</p> </td> </tr> <tr> <td data-bbox="625 91 674 358"> <p><b>NZ</b></p> </td> <td data-bbox="625 358 674 674"> <p>Glen Dimplex Australasia 38 Harris Road East Tamaki Auckland New Zealand +64 9 274 8265 Fax. +64 9 274 8472 sales@glendimplex.co.nz</p> </td> <td colspan="2"></td> </tr> </table>				<p><b>DE</b></p>	<p>Glen Dimplex Deutschland GmbH ewt-Kundendienst +49 (911) 1805 / 398 346 Fax. +49 (911) 1805 / 355 467 (12Ct./Min aus dem dt. Festnetz) service@dimplex.de</p>	<p><b>FR</b></p>	<p>Glen Dimplex France ZI Petite Montagne Sud 12 rue des Cèvennes 91017 EVRY - LISSES www.glendimplex-france.fr</p>	<p><b>UK</b></p>	<p>Glen Dimplex UK Limited Millbrook House Grange Drive Hedge End Southampton Hampshire. SO30 2DF 0845 600 5111 Fax. 01489 773053 customer.services@dimplex.com</p>	<p><b>ES</b></p>	<p>Glen Dimplex España S.L. C/ Bailén, 20. 4<sup>a</sup>. 2<sup>a</sup> e-08010 BARCELONA (+34) 93.238.61.59 Fax. (+34) 932384375</p>	<p><b>IT</b></p>	<p>Glen Dimplex Italia S.r.l. via delle Rose 7, 24040 Ialio (BG) 035-201042 Fax. 035-200492 info@glendimplex.it</p>	<p><b>AU</b></p>	<p>Glen Dimplex Australia PTY Ltd Unit 2, 205 Abbotts Road Dandenong Melbourne Victoria 3175 Australia +61 3 87873567 Fax. +61 3 87873570 salesgd@glendimplex.com.au</p>	<p><b>NZ</b></p>	<p>Glen Dimplex Australasia 38 Harris Road East Tamaki Auckland New Zealand +64 9 274 8265 Fax. +64 9 274 8472 sales@glendimplex.co.nz</p>		
<p><b>DE</b></p>	<p>Glen Dimplex Deutschland GmbH ewt-Kundendienst +49 (911) 1805 / 398 346 Fax. +49 (911) 1805 / 355 467 (12Ct./Min aus dem dt. Festnetz) service@dimplex.de</p>	<p><b>FR</b></p>	<p>Glen Dimplex France ZI Petite Montagne Sud 12 rue des Cèvennes 91017 EVRY - LISSES www.glendimplex-france.fr</p>																
<p><b>UK</b></p>	<p>Glen Dimplex UK Limited Millbrook House Grange Drive Hedge End Southampton Hampshire. SO30 2DF 0845 600 5111 Fax. 01489 773053 customer.services@dimplex.com</p>	<p><b>ES</b></p>	<p>Glen Dimplex España S.L. C/ Bailén, 20. 4<sup>a</sup>. 2<sup>a</sup> e-08010 BARCELONA (+34) 93.238.61.59 Fax. (+34) 932384375</p>																
<p><b>IT</b></p>	<p>Glen Dimplex Italia S.r.l. via delle Rose 7, 24040 Ialio (BG) 035-201042 Fax. 035-200492 info@glendimplex.it</p>	<p><b>AU</b></p>	<p>Glen Dimplex Australia PTY Ltd Unit 2, 205 Abbotts Road Dandenong Melbourne Victoria 3175 Australia +61 3 87873567 Fax. +61 3 87873570 salesgd@glendimplex.com.au</p>																
<p><b>NZ</b></p>	<p>Glen Dimplex Australasia 38 Harris Road East Tamaki Auckland New Zealand +64 9 274 8265 Fax. +64 9 274 8472 sales@glendimplex.co.nz</p>																		

**UK / AU / NZ**

1. Warranty Card
2. Guarantee Period (in Years)
3. Model(s)
4. Date of Purchase
5. Stamp & Signature of retailer
6. Fault/Defect
7. Contact Number & Address

**DE**

1. Garantiekarte
2. Garantiezeitraum (in Jahre)
3. Modell(e)
4. Kaufdatum
5. Stempel & Unterschrift des Einzelhändlers
6. Fehler/Defekt
7. Kontakt-Tel.-Nr. & - Anschrift

**FR**

1. Bon de garantie
2. Période de garantie (en années)
3. Modèle(s)
4. Date d'achat
5. Cachet et signature du vendeur
6. Anomalie/Défaut
7. Nom et adresse du contact

**IT**

1. Scheda di garanzia
2. Periodo di garanzia (in anni)
3. Modello(i)
4. Data di acquisto
5. Timbro e firma del rivenditore
6. Guasto/difetto
7. Indirizzo e numero di contatto

**ES**

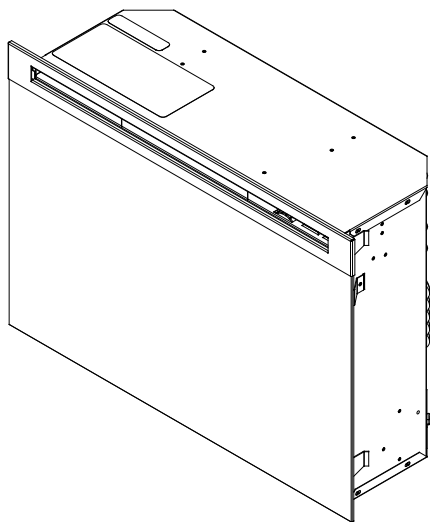
1. Tarjeta de garantía
2. Periodo de garantía (en años)
3. Modelo(s)
4. Fecha de adquisición
5. Sello y firma del distribuidor
6. Avería/Defecto
7. Número y dirección de contacto

**UA**

1. Гарантійний формуляр
2. Строк гарантії (років)
3. Модель(-и)
4. Дата придбання
5. Штамп і підпис дилера
6. Дефект
7. Контактна адреса та телефон

**RU**

1. Гарантийный формуляр
2. Срок гарантии (лет)
3. Модель(-и)
4. Дата приобретения
5. Печать и подпись дилера
6. Дефект
7. Контактный адрес и телефон



## Manuale per l'utente

Modello  
DF2550-EU

EN

RU

UA

FR

ES

IT

DE

PO










---

**IMPORTANTI INFORMAZIONI SULLA SICUREZZA:** prima di cercare di installare o usare il caminetto leggere sempre il presente manuale. Per la propria sicurezza, seguire sempre tutte le avvertenze e istruzioni relative alla sicurezza contenute nel presente manuale allo scopo di evitare lesioni alla persona o danni alla proprietà.

7210730100R03



## Indice

	Benvenuto e felicitazioni . . . . .	3
	ISTRUZIONI IMPORTANTI. . . . .	4
	Guida di riferimento rapid . . . . .	6
	Scelta e preparazione della posizione . . .	6
	Installazione del caminetto . . . . .	7
	Funzionamento . . . . .	10
	Manutenzione . . . . .	13
	Pezzi di ricambio . . . . .	15
	Garanzia . . . . .	16

Per gli interventi di riparazione del caminetto servirsi sempre di un tecnico qualificato o di un'agenzia di servizio.

**! NOTA:** Procedure e tecniche considerate abbastanza importanti da dover essere sottolineate.

**⚠ ATTENZIONE:** Procedure e tecniche che, se non rispettate con attenzione, potrebbero danneggiare l'apparecchio.

**⚠ AVVERTENZA:** Procedure e tecniche che, se non rispettate con attenzione, potrebbero esporre l'utente al rischio di incendio o lesioni gravi o letali.

## Benvenuto e felicitazioni

Ringraziamo e ci felicitiamo per aver scelto di acquistare un caminetto elettrico di Dimplex, il leader mondiale nel settore dei caminetti elettrici.

**Legere attentamente e conservare le presenti istruzioni.**

**ATTENZIONE:** prima di cominciare leggere con attenzione le istruzioni e le avvertenze. La mancata osservanza delle presenti istruzioni potrà risultare nel rischio di scossa elettrica e pericolo d'incendio e annullerà la garanzia.

Per riferimento futuro, registrare sotto il numero di modello e il numero di serie: Il numero di modello e il numero di serie si trovano sulle relative etichette applicate al caminetto.



**NON OCCORRE  
RIPORTARE L'UNITÀ AL  
NEGOZIO**

**Domande sul montaggio?**

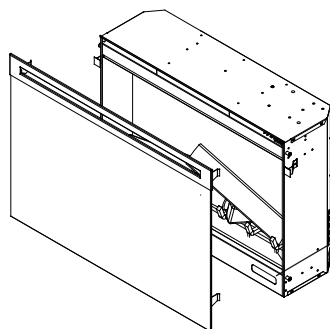
**Necessitano pezzi di ricambio?**

**Il prodotto è in garanzia?**



**Chiamare il  
rivenditore locale**

Si prega di avere a disposizione il numero di modello e il numero di serie. (Vedere sotto)



Numero di modello

MODEL/CAT. No.  MOD.

SERIAL No.

Numero di serie



# ISTRUZIONI IMPORTANTI

- ① Leggere tutte le istruzioni prima di utilizzare il caminetto elettrico.
- ② Quando è in uso, l'elemento di riscaldamento è molto caldo. Per prevenire ustioni, evitare il contatto con la pelle scoperta. La cornice dello sbocco dell'apparecchio di riscaldamento diventa molto calda quando l'apparecchio è in funzione. Tenere materiali combustibili come mobili, cuscini, lenzuola e coperte, carta, abiti e tende ad almeno 0,9 m di distanza dalla parte anteriore dell'unità.
- ③ È necessario prestare attenzione particolare quando l'apparecchio viene usato in prossimità di bambini o di persone inferme e quando lo si lascia in funzione senza sorveglianza.
- ④ Staccare sempre la spina quando l'apparecchio non è in uso.
- ⑤ Non usare l'apparecchio se il cavo o la spina sono danneggiati, se l'apparecchio di riscaldamento non ha funzionato bene o se il caminetto elettrico è caduto o è stato danneggiato in qualunque altro modo. Riportare l'apparecchio a un centro di assistenza autorizzato per il controllo, la messa a punto elettrica o meccanica o la riparazione.
- ⑥ Non usare all'aperto.
- ⑦ Il caminetto elettrico non è stato progettato per essere usato in stanze da bagno, in lavanderie o altri simili luoghi al chiuso. Non sistemare mai il caminetto in una posizione da cui potrebbe cadere in una vasca da bagno o in altro contenitore d'acqua.
- ⑧ Non far passare il cavo di alimentazione sotto la moquette o un tappeto. Non coprire il cavo con coperture decorative, passatoio o simili. Tenere il cavo lontano da zone di passaggio per impedire che qualcuno vi inciampi.
- ⑨ Per spegnere l'unità, girare le manopole sulla posizione di spento e staccare la spina.
- ⑩ Per evitare scosse elettriche o incendi o danni all'apparecchio, non inserire o consentire che si inseriscano oggetti estranei nelle aperture di ventilazione o di scarico.
- ⑪ Per evitare incendi, non bloccare in nessun modo le prese d'aria o le aperture di scarico. Non usare l'apparecchio su superfici soffici, come un letto, dove le aperture si potrebbero bloccare.
- ⑫ Tutti gli apparecchi di riscaldamento elettrici contengono degli elementi molto caldi che possono provocare contatti o scintille al loro interno. Non usare in un'area in cui sono presenti o conservati benzina, vernici o liquidi infiammabili o in luoghi in cui l'apparecchio sarebbe esposto a vapori infiammabili.
- ⑬ Non modificare il caminetto elettrico. Usare solo come indicato nel presente manuale. Qualsiasi altro uso non consigliato dal produttore potrebbe provocare incendi, scosse elettriche o lesioni alle persone.
- ⑭ Evitare di usare una prolunga on con una presa multipla. Le prolungh e le prese multiple possono surriscaldarsi



# ISTRUZIONI IMPORTANTI


e creare il pericolo d'incendio. Se si rende necessario usare una prolunga o una presa multipla, si dovrà utilizzarne una del tipo a 3 conduttori e con un valore nominale di 10 A.

- ⑮ Non bruciare legna o altri materiali nel caminetto elettrico.
- ⑯ Non urtare contro il vetro del caminetto.
- ⑰ Se fossero necessari nuovi circuiti elettrici o prese, affidarsi sempre a un elettricista certificato.
- ⑱ Utilizzare sempre prese con messa a terra e munite di fusibili.
- ⑲ Togliere la corrente prima di pulire, fare la manutenzione o spostare l'unità.
- ⑳ Quando si trasporta o conserva l'unità con il suo cavo, tenere l'apparecchio in luogo asciutto senza vibrazioni eccessive e riporre in modo da evitare di danneggiarlo.

㉑ Questo apparecchio non è stato progettato per essere usato da persone (compreso bambini) con capacità fisiche, sensoriali o mentali ridotte, o che non hanno esperienza o conoscenza, a meno di non essere sorvegliate o di avere ricevuto istruzioni riguardanti l'uso dell'apparecchio da parte di individuo responsabile per la loro sicurezza.

㉒ Occorre sorvegliare i bambini per garantire che non giochino con l'apparecchio.

㉓ Se è danneggiato, il cavo di alimentazione deve essere sostituito dal produttore, dal tecnico di un centro di assistenza o da altra persona similmente qualificata, per evitare incidenti.

 **Attenzione:** Al fine di evitare il surriscaldamento, non coprire stufa.

---

L'elemento di riscaldamento ha un simbolo di Avvertenza L'elemento indicante che non deve essere coperto.



**CATTENZIONE**  
RISCHIO DI SCOSSA ELETTRICA. NON APRIRE. ALL'INTERNO  
NON VI SONO PARTI SU CUI SI POSSANO FARE INTERVENTI



## CONSERVARE LE PRESENTI ISTRUZIONI



## Guida di riferimento rapid

① Prima di utilizzare il caminetto per la prima volta verificare i seguenti punti:

- Gli interruttori automatici dell'apparecchio sono attivati?
- Le lampadine del caminetto sono ben avvitate? (Per controllare, seguire le istruzioni per la sostituzione delle lampadine contenute nella sezione Manutenzione del presente manuale.)

② Quando lo si usa per la prima

volta, l'apparecchio di riscaldamento del caminetto potrà emettere un leggero odore che è innocuo. Tale odore è una condizione normale provocata dal riscaldamento iniziale dei componenti interni dell'apparecchio di riscaldamento e non si riprodurrà in futuro.

③ Le informazioni riguardo al modello del vostro caminetto si trovano sulla targhetta posta sulla parte superiore del caminetto.



## Scelta e preparazione della posizione

**! NOTA 1:** è richiesto un circuito di 10 A, 240 V. Un circuito dedicato è preferibile ma non sempre indispensabile. Un circuito dedicato sarà necessario se, dopo l'installazione, l'interruttore automatico scatta o i fusibili saltano ogni volta che si accende l'apparecchio di riscaldamento. Altri apparecchi collegati allo stesso circuito potrebbero superare il valore nominale di corrente dell'interruttore automatico.

**⚡ AVVERTENZA:** per ridurre rischi di incendio, scossa elettrica o lesioni alle persone, accertarsi che il cavo di alimentazione non sia pinzato o premuto contro un bordo

tagliante e che sia disposto in modo da non potervi inciampare. Per ridurre il rischio di incendio, scossa elettrica o lesione alle persone, sia la costruzione che il cablaggio della presa elettrica devono rispettare le norme di costruzione locali e altri regolamenti applicabili.

Non tentare di installare da soli nuove prese o circuiti elettrici. Per ridurre il rischio d'incendio, scossa elettrica o lesione alle persone, affidarsi sempre a un elettricista abilitato.

Questa sezione fornisce istruzioni per la scelta e la preparazione del luogo in cui installare il caminetto all'interno della struttura portante Dimplex:

## Scelta e preparazione della posizione

① Scegliere un luogo adatto che sia asciutto e lontano da tende, mobili e zone di passaggio.

② Per facilitare il collegamento elettrico, si potrà collocare il caminetto vicino a una presa esistente (vedere la NOTA 1).

③ Mettere il caminetto in un luogo sicuro, asciutto e senza polvere.

! **NOTA:** le dimensioni del caminetto sono: larghezza 661 mm X altezza 480 mm X profondità 223 mm. Il caminetto non richiede ventilazione supplementare.

④ L'apparecchio di riscaldamento non deve essere sistemato immediatamente sotto una presa di corrente.

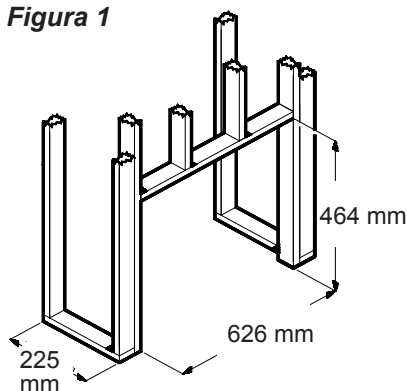
## Installazione del caminetto

① Installare il caminetto all'interno della sua struttura portante (vedere le istruzioni di montaggio della struttura portante). Fissare la struttura in base alle istruzioni per il montaggio della struttura.

! **IMPORTANTE:** se non si usa una struttura portante Dimplex, il caminetto deve essere installato in un alloggiamento che abbia le seguenti dimensioni **minime** interne e di apertura (Figura 1).

! **NOTA 1:** è richiesto un circuito di 10 A, 240 V. Un circuito dedicato è preferibile ma non sempre indispensabile. Un circuito dedicato sarà necessario se, dopo l'installazione, l'interruttore automatico scatta o i fusibili saltano ogni volta che si accende l'apparecchio di riscaldamento. Altri apparecchi collegati allo stesso circuito potrebbero superare il valore nominale di corrente dell'interruttore automatico.

Figura 1





## Installazione del caminetto

### Nuova costruzione a parete

- ① Scegliere un luogo adatto che sia asciutto e lontano da tende, mobili e zone di passaggio.
- ② Collocare il caminetto nella posizione desiderata per vedere come si adatta alla stanza.
- ③ Segnare la posizione sul pavimento e spostare il caminetto in un luogo asciutto e sicuro senza polvere.
- ④ Usare i montanti per inquadrare un'apertura di larghezza 626 mm x altezza 464 mm x profondità 225 mm.

**Opzione n. 1** – Il cavo si può far scorrere lungo il muro dietro l'apparecchio fino a una presa adiacente.

**Opzione n. 2** – Si può installare una nuova presa nella nuova costruzione. Collegare l'unità a una presa da 10 A, 240 V. Se il cavo è troppo corto, si potrà usare una prolunga del tipo a 3 conduttori con un valore nominale minimo di 10 A.

### Opzione n. 3 – Impianto fisso

- ① Collegare un circuito dedicato a 3 conduttori, opportunamente dotato di fusibili, con valori nominali di 240 V, 10 A. Lasciare 2,4 m di cavo extra per collegare l'alimentatore alla scatola

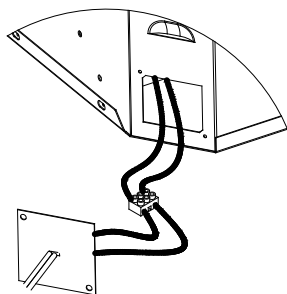
elettrica sul caminetto per installare dopo avere rifinito la parete.

**⚠ATTENZIONE:** per portare la corrente agli inserti del caminetto usare un cavo a due (2) conduttori con schermatura non metallica e filo di massa (tre (3) fili in totale). Usare un cavo che soddisfa i codici elettrici locali e nazionali per consumo minimo di corrente.

I mezzi di disconnessione deve essere integrato nel sistema fisso secondo le regole.

- ② Togliere la guaina esterna ed esporre i conduttori individuali all'estremità.
- ③ Allentare la vite che tiene il coperchio della scatola di giunzione e togliere il coperchio.
- ④ Estrarre i cavi dalla scarola di giunzione, allentare il blocco terminale e togliere l'insieme del cordone (Figura 2).

**Figura 2**

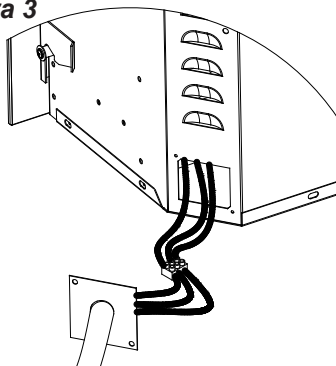




## Installazione del caminetto

- ⑤ Passare il cavo dell'alimentatore attraverso il foro a copertura rimovibile sul coperchio alternativo della scatola di giunzione e fissare il cavo con il morsetto (non in dotazione) (Figura 3).

Figura 3



- ⑥ Collegare il conduttore sotto tensione proveniente dall'unità a quello proveniente dall'alimentatore (Figura 3).
- ⑦ Collegare il conduttore neutro proveniente dall'unità a quello proveniente dall'alimentatore (Figura 3).
- ⑧ Collegare il filo verde (massa) dell'unità al conduttore verde dell'alimentatore (Figura 3).
- ⑨ Mettere tutti i connettori dentro l'unità e rimettere a posto in modo sicuro il coperchio della scatola di

giunzione dell'unità. Accertarsi che il morsetto afferri solo la guaina del cavo di servizio.

**⚠ATTENZIONE:** La circolazione d'aria sotto il caminetto è facilitata da due (2) piedini di gomma.

**Non installare il caminetto direttamente su di un tappeto, sulla moquette o su altre simili superfici che possono limitare la circolazione d'aria.**

Se si installa il caminetto in un'area con la moquette, mettere uno strato di materiale solido e piatto sotto l'insero del caminetto. Accertarsi che entrambi i piedini dell'insero si posino in modo sicuro su questa superficie.

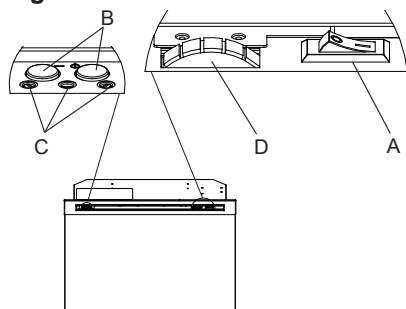
Nota: Fissare l'unità con viti attraverso il pannello inferiore sotto il log set. Vedi fig. 7.

## **Funzionamento**

### **Comando manuale del caminetto elettrico**

I comandi manuali del caminetto sono situati al lato destro della parte superiore (Figura 4).

**Figura 4**



#### **A. Interruttore principale di accensione/spengimento**

L'interruttore principale di accensione/spengimento fornisce la corrente alle varie funzioni del caminetto.

#### **B. Pulsanti di selezione manuale**

Il pulsanti di selezione manuale consentono di usare manualmente le funzioni del caminetto.


Quando il caminetto è acceso, premere il pulsante “ I ” fa passare da uno all'altro dei tre livelli operativi del caminetto:

Livello 1: L'effetto fiamma viene attivato e il primo indicatore luminoso

si accende.

Livello 2: L'effetto fiamma rimane attivo, l'elemento di riscaldamento si attiva sull'impostazione di calore più bassa e il primo e il secondo indicatore luminoso si accendono.

Livello 3: L'effetto fiamma rimane attivo, l'elemento di riscaldamento passa all'impostazione di calore più alta e tutti tre (3) gli indicatori luminosi si accendono.

Premendo in un qualsiasi momento il pulsante “  ” si spegne il caminetto.

#### **C. Indicatori luminosi**

Gli indicatori luminosi si accendono mano a mano che il caminetto passa da un livello di funzionamento all'altro.

#### **D. Comando del termostato del riscaldatore**

Per regolare la temperatura come desiderato, impostare il comando del termostato completamente in alto per accendere l'apparecchio. Quando la stanza ha raggiunto la temperatura desiderata, spostare il comando del termostato in basso fino a quando non si sente un clic. Lasciare in questa posizione per mantenere la temperatura a questo livello. Per ottenere maggior calore, spostare in alto il comando fino a sentire di nuovo il clic e l'elemento di riscaldamento si riaccende.

## Funzionamento

### Ripristino dell'interruttore di limitazione della temperatura

In caso di surriscaldamento dell'apparecchio, un interruttore automatico spegne l'unità che non si riaccenderà sino a quando l'interruttore non viene ripristinato.

Lo si può ripristinare spegnendo l'interruttore principale di accensione/spengimento ("O") e aspettando cinque (5) minuti prima di riaccendere l'unità.

**ATTENZIONE:** Se si rende necessario ripristinare l'apparecchio in continuazione, scollegarlo dall'alimentazione e chiamare l'assistenza clienti.

**ATTENZIONE:** per evitare pericoli dovuti alla involontaria attivazione dell'interruttore termico di sicurezza, l'apparecchio non deve essere alimentato da un interruttore esterno, come un timer, o collegato a un circuito che è aperto e chiuso regolarmente dalla fornitura.

### Operazione a distanza

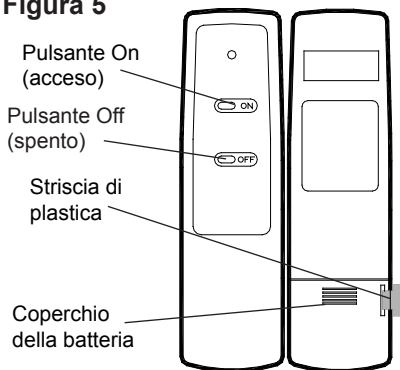
Il caminetto è dotato di un comando a distanza che funziona su frequenze radio. Il comando a distanza ha una portata di circa 15 m, non deve essere puntato verso il caminetto per funzionare e attraversa la maggioranza degli ostacoli (incluso le

pareti).

Alla consegna, il comando è impostato su una delle centinaia di frequenze indipendenti che consentono di evitare l'interferenza con altre unità.

**! NOTA:** Prima di fare uso del comando a distanza togliere la striscia di plastica isolante tra l'involucro del comando e il coperchio della batteria (Figura 5).

Figura 5



### Inizializzazione del comando a distanza

Se il comando a distanza ha difficoltà a comunicare con il suo ricevitore, o se si deve sostituire il comando o la scheda del ricevitore, si renderà necessario inizializzare il comando a distanza.

## **Funzionamento**

Con l'unità spenta:

① Garantire che il caminetto sia alimentato tramite il quadro principale.

② Individuare i comandi manuali e attivare l'interruttore principale di accensione/spengimento (Figura 4-A).

③ Premere e tener premuto il pulsante "I" (Figura 4-B) fino a quando tutti gli indicatori luminosi lampeggiano.

④ Premere il pulsante ON (acceso) sul comando a distanza. Gli indicatori luminosi lampeggiano rapidamente e quindi si spengono.

② Inserire una (1) batteria da 12 V (A23) nello scomparto della batteria.

③ Richiudere la copertura della batteria.

### **Uso del comando a distanza**

Il comando a distanza regola i livelli del caminetto in modo sequenziale (da posizione di spento: solo fiamma; fiamma e calore minimo; fiamma e calore massimo).

Il livello aumenta ogni volta che si preme il pulsante ON (acceso) sul comando a distanza; il caminetto può essere spento in qualunque momento premendo il pulsante OFF (spento).

### **Sostituzione della batteria** (Figura 5)

Per sostituire la batteria:

① Aprire la copertura della batteria facendola scorrere sul trasmettitore palmare.





### Sostituzione delle lampadine *Figura 6*

Per evitare ustioni, attendere almeno cinque (5) minuti dopo lo spegnimento per lasciare che le lampadine si raffreddino prima di toccarle.

Le lampadine devono essere cambiate quando si nota che la fiamma si scurisce o quando i particolari esterni della brace del ceppo perdono chiarezza. Vi sono due (2) lampadine sotto il ceppo che generano gli effetti fiamma e brace.

#### Requisiti delle lampadine inferiori

Due (2) lampadine trasparenti tipo lampadario o candelabro da 60 watt con zoccolo E-14 (piccolo). Esempio: GE 60BC o Philips 60 CTC.

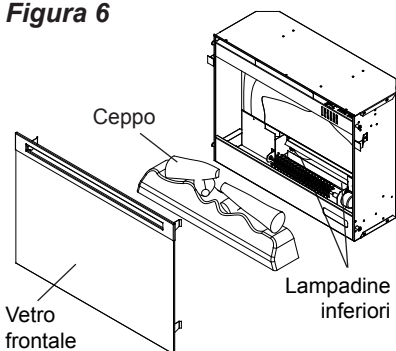
**Non usare lampadine di più di 60 W.**

#### Suggerimenti utili

È consigliabile sostituire tutte le lampadine in una volta quando ci si avvicina alla fine della loro durata. La sostituzione in gruppo evita di dover aprire l'apparecchio più volte per sostituire una sola lampadina.

#### Per accedere al comparto inferiore delle lampadine:

- ① Togliere il gruppo del vetro frontale.
- ② Sollevare e tirare fuori il bordo



davanti del letto o griglia di plastica della brace fino a quando la linguetta sul lato posteriore non si sblocchi dalla sporgenza sul fondo dello specchio (Figura 6).

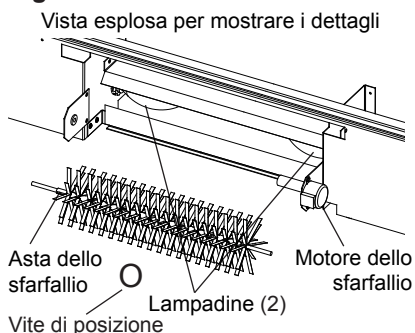
**! IMPORTANTE:** Maneggiare l'insieme del ceppo prendendolo solo dal piano delle braci.

**! NOTA:** Il ceppo si adatta di misura al focolare e potrà rendersi necessario applicare della forza per estrarlo.

- ③ Poggiare il ceppo davanti al caminetto.
- ④ Estrarre delicatamente l'asta dello sfarfallio tirandola verso destra per quanto possibile contro la boccola di gomma del motore dello sfarfallio (Figura 7).
- ⑤ Svitare le lampadine in senso antiorario.



**Figura 9**



⑥ Inserire le nuove lampadine.

⑦ Installare il ceppo mettendo il bordo davanti inferiore del piano delle braci nell'alloggiamento dietro il pannello frontale. Una volta in posizione, spingere sul bordo di dietro del piano delle braci finché la linguetta posteriore non scatta a posto sotto lo specchio (Figura 8).

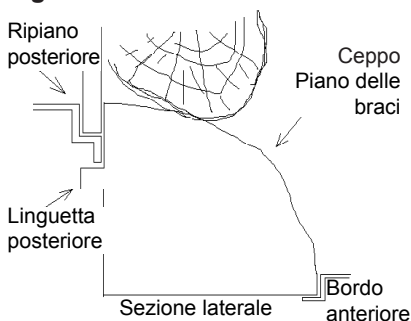
**! NOTA:** accertarsi che il ceppo sia montato in modo stretto sotto la sporgenza per evitare l'infiltrazione della luce.

⑧ Rimettere a posto il gruppo del vetro.

### Pulizia del vetro

Il vetro è pulito in fabbrica al momento del montaggio dell'apparecchio. Tuttavia, durante

**Figura 8**



il trasporto e il magazzino, si potrebbero formare particelle di polvere che si possono rimuovere passando un panno pulito e asciutto.

Per rimuovere segni di dita o altri segni, il vetro può essere pulito con un panno umido. Per evitare graffiature, non usare detersivi abrasivi o a spruzzo sulla superficie del vetro.

### Pulizia delle superfici del caminetto

Sulle superfici verniciate del caminetto elettrico usare solo un panno bagnato in acqua tiepida. Non usare detersivi abrasivi.



## Pezzi di ricambio

1. Ceppo . . . . .	0439970100RP
2. Motore dello sfarfallio . . . . .	2000210100RP
3. Gruppo soffiatore . . . . .	2200491100RP
4. Termostato . . . . .	2300150100RP
5. Ritaglio . . . . .	2300270100RP
6. Cablaggio . . . . .	2500400500RP
7. Interruttore di accensione/spegnimento . . . . .	2800070700RP
8. Ricevitore del comando a distanza . . . . .	3000380200RP
9. Blocco terminali . . . . .	4000080100RP
10. Insieme cordoni . . . . .	4100040300RP
11. Asta dello sfarfallio . . . . .	5901110100RP
12. Vetro frontale . . . . .	5901400100RP
13. Specchio . . . . .	5901410200RP
14. Manopola di comando . . . . .	8801080100RP
15. Trasmettitore del comando a distanza . . . . .	3000370500RP



## Garanzia

I caminetti elettrici Dimplex sono ispezionati e collaudati prima della spedizione e sono garantiti contro difetti di fabbricazione all'acquirente del prodotto nuovo. Qualunque parte del prodotto che si dimostri difettosa per materiale o lavorazione durante il primo anno, verrà riparata o sostituita gratuitamente.\* La ditta non è responsabile delle spese di installazione e smontaggio o dei costi di trasporto. Eventuali difetti devono essere segnalati al rivenditore dove il prodotto è stato acquistato e che è autorizzato a eseguire la riparazione o sostituzione secondo i termini della presente garanzia.

L'unico obbligo della ditta ai fini della presente garanzia è, a sua sola scelta, di riparare o sostituire le parti difettose o di rimborsare il prezzo di acquisto di tali parti.

**Il cliente utilizzatore dell'apparecchio si assume tutti gli altri rischi, compreso il rischio diretto o indiretto o consequenziale di eventuali perdite o danni dovuti al cattivo uso del prodotto o all'incapacità di usarlo.**

**La garanzia non si applica se, a sola discrezione della ditta, il danno o il mancato funzionamento deriva da incidente, alterazione, cattivo uso, abuso, installazione scorretta o funzionamento con alimentazione elettrica non corretta.**

Quanto sopra sostituisce qualsiasi altra garanzia espressa, implicita o legale e la ditta non si assume né autorizza altri ad assumersi nessuna altra obbligazione o responsabilità in relazione a detto prodotto.

**\*Le lampadine non sono coperte dalla garanzia.**

## Assistenza

Per ulteriori informazioni riguardanti l'assistenza o la garanzia, mettersi in contatto con il rivenditore locale.


## Riciclaggio



Per prodotti elettrici venduti nella Comunità Europea. Alla fine della sua durata utile, i prodotti non dovrebbero essere eliminati con i rifiuti domestici. Riciclare presso discariche quando esse sono disponibili. Consultarsi con gli enti locali o con il rivenditore per informazioni per il proprio Paese.



Il prodotto si conforma allo standard di sicurezza europeo EN60335-2-30 M e agli standard europei per compatibilità elettromagnetica (EMC) EN55014, EN61000 e EN50366 che coprono i requisiti essenziali delle direttive della Comunità Europea 2006/95 e 2004/108.

<p><b>1. Warranty Card</b></p> 	<p><b>2. Guarantee Period (in Years)</b></p>	<p><b>3. Model(s)</b></p>	<p><b>4. Date of Purchase</b></p>																
<p><b>5. Stamp &amp; Signature of retailer</b></p> <p><b>6. Fault/Defect</b></p>																			
<p><b>7. Contact Number &amp; Address</b></p> <table border="0"> <tr> <td data-bbox="476 91 528 371"> <p><b>DE</b></p> </td> <td data-bbox="476 371 528 640"> <p>Glen Dimplex Deutschland GmbH ewt-Kundendienst +49 (911) 1805 / 398 346 Fax. +49 (911) 1805 / 355 467 (12Cr./Min aus dem dt. Festnetz) service@glendimplex.de</p> </td> <td data-bbox="476 640 528 910"> <p><b>FR</b></p> </td> <td data-bbox="476 910 528 1317"> <p>Glen Dimplex France ZI Petite Montagne Sud 12 rue des Cévennes 91017 EVRY - LISSES www.glendimplex-france.fr</p> </td> </tr> <tr> <td data-bbox="528 91 580 371"> <p><b>UK</b></p> </td> <td data-bbox="528 371 580 640"> <p>Glen Dimplex UK Limited Millbrook House Grange Drive Hedge End Southampton Hampshire. SO30 2DF 0845 600 5111 Fax. 01489 773053 customer.services@glendimplex.com</p> </td> <td data-bbox="528 640 580 910"> <p><b>ES</b></p> </td> <td data-bbox="528 910 580 1317"> <p>Glen Dimplex España S.L. C/ Bailén, 20. 4º, 2ª e-08010 BARCELONA (+34) 93.238.61.59 Fax. (+34) 932384375</p> </td> </tr> <tr> <td data-bbox="580 91 631 371"> <p><b>IT</b></p> </td> <td data-bbox="580 371 631 640"> <p>Glen-Dimplex Italia S.r.l. via delle Rose 7, 24040 Ialio (BG) 035-201042 Fax 035-200492 info@glendimplex.it</p> </td> <td data-bbox="580 640 631 910"> <p><b>AU</b></p> </td> <td data-bbox="580 910 631 1317"> <p>Glen Dimplex Australia PTY Ltd Unit 2, 205 Abbotts Road Dandenong Melbourne Victoria 3175 Australia +61 3 87873567 Fax. +61 3 87873570 salesgd@glendimplex.com.au</p> </td> </tr> <tr> <td data-bbox="631 91 683 371"> <p><b>NZ</b></p> </td> <td data-bbox="631 371 683 640"> <p>Glen Dimplex Australasia 38 Harris Road East Tamaki Auckland New Zealand +64 9 274 8265 Fax. +64 9 274 8472 sales@glendimplex.co.nz</p> </td> <td colspan="2"></td> </tr> </table>				<p><b>DE</b></p>	<p>Glen Dimplex Deutschland GmbH ewt-Kundendienst +49 (911) 1805 / 398 346 Fax. +49 (911) 1805 / 355 467 (12Cr./Min aus dem dt. Festnetz) service@glendimplex.de</p>	<p><b>FR</b></p>	<p>Glen Dimplex France ZI Petite Montagne Sud 12 rue des Cévennes 91017 EVRY - LISSES www.glendimplex-france.fr</p>	<p><b>UK</b></p>	<p>Glen Dimplex UK Limited Millbrook House Grange Drive Hedge End Southampton Hampshire. SO30 2DF 0845 600 5111 Fax. 01489 773053 customer.services@glendimplex.com</p>	<p><b>ES</b></p>	<p>Glen Dimplex España S.L. C/ Bailén, 20. 4º, 2ª e-08010 BARCELONA (+34) 93.238.61.59 Fax. (+34) 932384375</p>	<p><b>IT</b></p>	<p>Glen-Dimplex Italia S.r.l. via delle Rose 7, 24040 Ialio (BG) 035-201042 Fax 035-200492 info@glendimplex.it</p>	<p><b>AU</b></p>	<p>Glen Dimplex Australia PTY Ltd Unit 2, 205 Abbotts Road Dandenong Melbourne Victoria 3175 Australia +61 3 87873567 Fax. +61 3 87873570 salesgd@glendimplex.com.au</p>	<p><b>NZ</b></p>	<p>Glen Dimplex Australasia 38 Harris Road East Tamaki Auckland New Zealand +64 9 274 8265 Fax. +64 9 274 8472 sales@glendimplex.co.nz</p>		
<p><b>DE</b></p>	<p>Glen Dimplex Deutschland GmbH ewt-Kundendienst +49 (911) 1805 / 398 346 Fax. +49 (911) 1805 / 355 467 (12Cr./Min aus dem dt. Festnetz) service@glendimplex.de</p>	<p><b>FR</b></p>	<p>Glen Dimplex France ZI Petite Montagne Sud 12 rue des Cévennes 91017 EVRY - LISSES www.glendimplex-france.fr</p>																
<p><b>UK</b></p>	<p>Glen Dimplex UK Limited Millbrook House Grange Drive Hedge End Southampton Hampshire. SO30 2DF 0845 600 5111 Fax. 01489 773053 customer.services@glendimplex.com</p>	<p><b>ES</b></p>	<p>Glen Dimplex España S.L. C/ Bailén, 20. 4º, 2ª e-08010 BARCELONA (+34) 93.238.61.59 Fax. (+34) 932384375</p>																
<p><b>IT</b></p>	<p>Glen-Dimplex Italia S.r.l. via delle Rose 7, 24040 Ialio (BG) 035-201042 Fax 035-200492 info@glendimplex.it</p>	<p><b>AU</b></p>	<p>Glen Dimplex Australia PTY Ltd Unit 2, 205 Abbotts Road Dandenong Melbourne Victoria 3175 Australia +61 3 87873567 Fax. +61 3 87873570 salesgd@glendimplex.com.au</p>																
<p><b>NZ</b></p>	<p>Glen Dimplex Australasia 38 Harris Road East Tamaki Auckland New Zealand +64 9 274 8265 Fax. +64 9 274 8472 sales@glendimplex.co.nz</p>																		

**UK / AU / NZ**

1. Warranty Card
2. Guarantee Period (in Years)
3. Model(s)
4. Date of Purchase
5. Stamp & Signature of retailer
6. Fault/Defect
7. Contact Number & Address

**DE**

1. Garantiekarte
2. Garantiezeitraum (in Jahre)
3. Modell(e)
4. Kaufdatum
5. Stempel & Unterschrift des Einzelhändlers
6. Fehler/Defekt
7. Kontakt-Tel.-Nr. & - Anschrift

**FR**

1. Bon de garantie
2. Période de garantie (en années)
3. Modèle(s)
4. Date d'achat
5. Cachet et signature du vendeur
6. Anomalie/Defaut
7. Nom et adresse du contact

**IT**

1. Scheda di garanzia
2. Periodo di garanzia (in anni)
3. Modello(i)
4. Data di acquisto
5. Timbro e firma del rivenditore
6. Guasto/difetto
7. Indirizzo e numero di contatto

**ES**

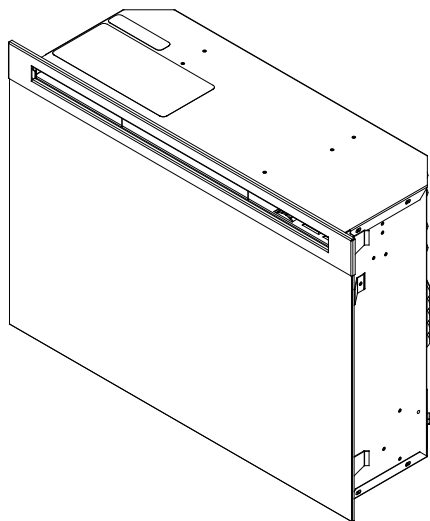
1. Tarjeta de garantía
2. Periodo de garantía (en años)
3. Modelo(s)
4. Fecha de adquisición
5. Sello y firma del distribuidor
6. Avería/Defecto
7. Número y dirección de contacto

**UA**

1. Гарантійний формуляр
2. Строк гарантії (років)
3. Модель(-и)
4. Дата придбання
5. Штамп і підпис дилера
6. Дефект
7. Контактна адреса та телефон

**RU**

1. Гарантийный формуляр
2. Срок гарантии (лет)
3. Модель(-и)
4. Дата приобретения
5. Печать и подпись Дилера
6. Дефект
7. Контактный адрес и телефон



# Benutzerhandbuch

Modell  
DF2550-EU

EN

RU

UA

FR

ES

IT

DE

PO












---

**WICHTIGE SICHERHEITSINFORMATION:** Lesen Sie dieses Handbuch immer, bevor Sie versuchen, diesen Kamin zu installieren oder zu verwenden. Um Ihre Sicherheit zu gewährleisten, halten Sie sich bitte an alle Warnungen und Sicherheitsanweisungen, die in diesem Handbuch stehen, um Verletzungen oder Sachschäden zu vermeiden.

7210730100R03



## Inhalt

	Willkommen & Gratulatio. . . . .	3
	WICHTIGE ANWEISUNGEN . . . . .	4
	Kurzreferenz. . . . .	6
	Standortauswahl und Vorbereitung . . . . .	6
	Einbau des Kamins . . . . .	7
	Betrieb . . . . .	10
	Wartung. . . . .	13
	Ersatzteile. . . . .	16
	Gewährleistung. . . . .	17

Beauftragen Sie immer einen qualifizierten Techniker oder ein Service-Unternehmen mit der Reparatur dieses Kamins.

**! HINWEIS:** Verfahren und Techniken, die als wichtig zu betonen angesehen werden.

**⚠ ACHTUNG:** Verfahren und Techniken, die bei ungenauer Befolgung zu Schäden an der Anlage führen.

**⚠ WARNUNG:** Verfahren und Techniken, die bei ungenauer Befolgung den Benutzer der Gefahr von Feuer, ernsten Verletzungen, Krankheit oder Tod aussetzen.





## Willkommen & Gratulatio

Vielen Dank und Gratulation dass Sie einen elektrischen Kamin von Dimplex erworben haben, dem weltweiten Marktführer bei elektrischen Kaminen.

**Bitte lesen Sie diese Anweisungen sorgfältig durch und bewahren Sie sie auf.**

**⚠️ ACHTUNG:** Lesen Sie alle Anweisungen und Warnhinweise sorgfältig durch, bevor Sie mit der Installation beginnen. Die Nichtbefolgung dieser Anweisungen kann evtl. zu einem Stromschlag oder Feuergefahr führen und lässt die Garantie erlöschen.

Bitte notieren Sie sich Ihre Modellnummer und Produkt-Seriennummer für späteres Nachschlagen: Modellnummer und Produkt-Seriennummer befinden sich auf den entsprechenden Aufklebern für Model- und Produkt-Seriennummer an Ihrem Kamin.



**NICHT ZUM GESCHÄFT ZURÜCKBRINGEN**

**Fragen zum Zusammenbau?**

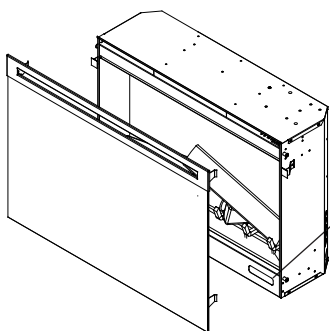
**Brauchen Sie Informationen über Bauteile?**

**Ist das Produkt unter Herstellergarantie?**



**Wenden Sie sich an Ihren Händler**

Bitte halten Sie Ihre Modellnummer und Produkt-Seriennummer bereit. (Siehe unten)



Modellnummer

MODEL/CAT. No.	<input type="text"/>	MOD.	<input type="checkbox"/>
SERIAL No.	<input type="text"/>	<input type="text"/>	

Seriennummer



# WICHTIGE ANWEISUNGEN


- ① Lesen Sie alle Anweisungen aufmerksam durch, bevor Sie den elektrischen Kamin benutzen.
- ② Die Heizung ist während der Benutzung heiß. Um Verbrennungen zu vermeiden, dürfen die Oberflächen des Geräts nicht mit der nackten Haut berührt werden. Die Blende um den Heizungssauslass wird während des Betriebs des Heizgeräts heiß. Halten Sie brennbare Materialien, wie Möbel, Kissen, Bettzeug, Papier, Kleidung und Gardinen mindestens 0.9 m von der Vorderseite des Geräts entfernt.
- ③ Extreme Vorsicht ist nötig, wenn eine Heizung gleich welcher Art von oder in der Nähe von Kindern und/oder Menschen mit Behinderungen verwendet wird und wenn das Gerät im laufenden Betrieb unbeaufsichtigt gelassen wird.
- ④ Ziehen Sie immer den Netzstecker heraus, wenn das Gerät nicht verwendet wird.
- ⑤ Betreiben Sie kein Gerät mit schadhaftem Kabel oder Stecker oder wenn das Heizgerät Fehlfunktionen aufweist, oder wenn der elektrische Kamin fallen gelassen oder anders beschädigt wurde. Bringen Sie das Heizgerät zu einer autorisierten Service-Einrichtung zur Untersuchung, elektrischen oder mechanischen Anpassung bzw. Reparatur.
- ⑥ Nicht im Freien verwenden.
- ⑦ Der elektrische Kamin ist nicht für die Verwendung in Badezimmern, Waschmaschinen-Bereichen und ähnlichen Standorten im Innenbereich vorgesehen. Stellen Sie das Heizgerät niemals an einem Ort auf, wo es in eine Badewanne oder einen anderen Wasserbehälter fallen könnte.
- ⑧ Lassen Sie das Kabel niemals unter einem Teppich verlaufen. Bedecken Sie das Kabel nicht mit Brücken, Läufern oder ähnlichem. Verlegen Sie das Kabel abseits viel benutzter Zimmerbereiche und stolpersicher.
- ⑨ Um den Kamin abzuschalten, schalten Sie die Bedienelemente aus und ziehen dann den Stecker aus der Steckdose.
- ⑩ Fremdkörper dürfen nicht in Ventilations- oder Abluftöffnungen gesteckt werden oder anders eindringen, da dies zu Stromschlägen, Feuer oder Schäden am Heizgerät führen kann.
- ⑪ Zur Feuerverhütung versperren Sie Luft-Ein- und -auslässe in keinstreue Weise. Nicht verwenden auf weichen Oberflächen wie einem Bett, wo die Öffnungen versperrt werden können.
- ⑫ Alle elektrischen Heizungen enthalten heiße und glühende oder Funken bildende Teile. Nicht verwenden in Bereichen, in denen Treibstoff, Farbe oder entflammbare Flüssigkeiten verwendet oder gelagert werden oder wo das Gerät entflammaren Dämpfen ausgesetzt ist.
- ⑬ Verändern Sie den elektrischen Kamin nicht. Verwenden Sie ihn ausschließlich so wie in diesem Handbuch beschrieben. Jede andere, nicht vom Hersteller empfohlene Verwendung kann zu Feuer,

# WICHTIGE ANWEISUNGEN

Stromschlägen oder Verletzungen führen.

- ⑭ Vermeiden Sie die Nutzung eines Verlängerungskabels oder einer Steckdosenleiste. Verlängerungskabel und Steckdosenleisten können überhitzen und ein Brandrisiko darstellen. Wenn Sie ein Verlängerungskabel oder eine Steckdosenleiste verwenden müssen, muss dieses dreifach sein und eine Belastbarkeit von mindestens 10A aufweisen.
- ⑮ Verbrennen Sie kein Holz oder andere Materialien in dem elektrischen Kamin.
- ⑯ Stoßen Sie nicht gegen das Kaminglas.
- ⑰ Ziehen Sie immer einen qualifizierten Elektroinstallateur zu Rate, wenn neue Leitungen oder Steckdosen erforderlich sein sollten.
- ⑱ Verwenden Sie immer ordnungsgemäß geerdete und abgesicherte Steckdosen.
- ⑲ Unterbrechen Sie die Stromversorgung komplett durch ziehen

des Netzsteckers, bevor Sie das Gerät reinigen, warten oder umsetzen.

- ⑳ Bei Transport und Lagerung Gerät und Kabel an einem trockenen Ort, frei von starker Vibration und sicher vor Beschädigung lagern.
  - ㉑ Dieses Gerät darf nicht von Personen (einschließlich Kindern) mit eingeschränkten körperlichen, sensorischen oder geistigen Fähigkeiten oder mit unzureichender Erfahrung und Kenntnis verwendet werden, außer wenn sie hinsichtlich der Verwendung des Geräts von einer Person, die für ihre Sicherheit verantwortlich ist, beaufsichtigt oder angeleitet wurden.
  - ㉒ Kinder sollten beaufsichtigt werden, um sicherzustellen, dass sie nicht mit dem Gerät spielen.
  - ㉓ Falls die Zuleitung beschädigt ist, muss sie vom Hersteller, seinem Service-Vertreter oder gleichermaßen qualifizierten Personen ausgetauscht werden, um eine Gefährdung zu vermeiden.
-  **Achtung:** Um ein Überhitzen zu vermeiden, decken nicht Heizofen.

---

Das Heizgerät trägt das Warnsymbol  das anzeigt, dass das Heizgerät nicht bedeckt werden darf.



**ACHTUNG**  
STROMSCHLAGRISIKO, NICHT ÖFFNEN, KEINE VOM  
BENUTZER ZU WARTENDEN TEILE ENTHALTEN



## HEBEN SIE DIESE ANWEISUNGEN AUF



## Kurzreferenz

① Vor der ersten Benutzung des Kamins prüfen Sie folgendes:

- Sind die Schutzschalter für das Gerät eingeschaltet?
- Sind die Glühbirnen im Kamin locker? (um dies zu prüfen, befolgen Sie die Anweisungen für den Austausch von Glühbirnen im Bereich Wartung dieses Handbuchs)

② Das Heizgerät des Kamins kann bei Erstgebrauch einen leichten, harmlosen Geruch verbreiten. Dieser Geruch ist normal, wird durch die Ersterhitzung interner Teile des Heizgeräts verursacht und tritt nicht wieder auf.

③ Informationen zum Modell Ihres Kompakt-Kamins befinden sich auf dem Typenschild auf der Rückseite des Geräts.



## Standortauswahl und Vorbereitung

**! HINWEIS 1:** Sie benötigen einen 10A 240V-Stromkreis. Ein eigener Stromkreis ist vorzuziehen, ist aber nicht unbedingt erforderlich. Ein eigener Stromkreis ist erforderlich wenn nach der Installation regelmäßig bei Betrieb des Heizgeräts der Schutzschalter auslöst oder eine Sicherung durchbrennt. Zusätzliche Geräte am selben Stromkreis können die Stromkapazität des Schutzschalters überschreiten.

**⚠ WARNUNG:** Sorgen Sie dafür, dass das Netzkabel so installiert wird, so dass es nicht abgeklemmt oder an einer scharfen Kante vorbeiführt. Stellen Sie auch sicher, dass das Netzkabel

abgelegt oder gesichert ist, um die Gefahr von Feuer, Stromschlägen oder Verletzungen zu verringern.

Konstruktion und Steckdosenverkabelung müssen mit den örtlichen Bauvorschriften und anderen zutreffenden Vorschriften übereinstimmen, um die Gefahr von Feuer, Stromschlägen oder Verletzungen zu verringern.

Versuchen Sie nicht, neue Steckdosen und Schaltkreise selbst zu ziehen/anzubringen. Um die Gefahr von Feuer, Stromschlägen oder Verletzungen zu verringern, ziehen Sie immer einen qualifizierten Elektroinstallateur heran.



## Standortauswahl und Vorbereitung

Dieser Abschnitt enthält eine Anleitung zur Auswahl eines Standorts und Vorbereitung der Montagestelle für die Montage des Kamins in Ihrer Dimplex Kaminsims-Verkleidung.

- ① Wählen Sie einen passenden Standort aus, der nicht anfällig für Feuchtigkeit ist entfernt von Gardinen, Möbeln und viel hoher Raumnutzung.
- ② Um die elektrischen Anschlüsse so einfach zu möglich zu machen, können Sie den Kamin in der Nähe

einer vorhandenen Steckdose platzieren (siehe HINWEIS 1).

- ③ Stellen Sie den Kamin an einem sicheren, trockenen und staubfreien Ort ab.

**! HINWEIS:** Die Maße des Kamins sind 661 mm Breite X 480 mm Höhe X 223 mm Tiefe. Der Kamin benötigt keine zusätzliche Entlüftung.

- ④ Die Heizung darf sich nicht direkt unterhalb einer Steckdose befinden.



## Einbau des Kamins

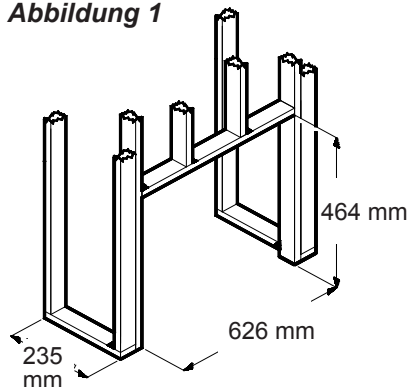
- ① Montieren Sie den Kamin im Kaminsims (siehe Anweisungen zum Kaminsims-Zusammenbau). Fix Mantel nach Montageanleitung Mantel.

**! HINWEIS 1:** Sie benötigen einen 10A 240V-Stromkreis. Ein eigener Stromkreis ist vorzuziehen, ist aber nicht unbedingt erforderlich. Ein eigener Stromkreis ist erforderlich wenn nach der Installation regelmäßig bei Betrieb des Heizgeräts der Schutzschalter auslöst oder eine Sicherung durchbrennt. Zusätzliche Geräte am selben Stromkreis können die Stromkapazität des

Schutzschalters überschreiten.

**! WICHTIG:** Wenn Sie keinen Dimplex Kaminsims verwenden, muss der Kamin in ein Gehäuse mit den folgenden Mindest-Maßen für Innenraum/Öffnung montiert werden (Abbildung 1).

Abbildung 1



## Neue Wandkonstruktion

- ① Wählen Sie einen passenden Standort aus, der nicht anfällig für Feuchtigkeit ist entfernt von Gardinen, Möbeln und viel hoher Raumnutzung.
- ② Platzieren Sie den Kamin am gewünschten Standort, um zu sehen, wie er im Raum wirkt.
- ③ Markieren Sie den gewünschten Standort auf dem Boden und stellen Sie den Kamin an einem sicheren, trockenen und staubfreien Ort ab.
- ④ Bauen Sie aus Kanthölzern eine Rahmenöffnung von 626 mm Breite X 464 mm Höhe X 225 mm Tiefe.

**Option 1** – Das Stromkabel kann von hinter der Blende und entlang der Wand zu einem Anschluss in der

Nähe des Kamins führen.

**Option 2** - Eine neue Steckdose lässt sich innerhalb der neuen Rahmenkonstruktion anbringen. Schließen Sie das Gerät an eine Steckdose mit 10 A und 240 V an. Wenn das Netzkabel nicht lang genug ist, können Sie ein dreiadriges Verlängerungskabel mit einer Mindestbelastbarkeit von 10 A verwenden.

## Option 3 - Festverkabelung

- ① Verwenden Sie einen eigenen, angemessen abgesicherten Stromkreis mit 240 V, 10 A. Erlauben Sie bei der Installation nach der Wandvorbereitung bis zu 2,4 m Kabel zur Spannungsverbindung.

**⚠️ ACHTUNG:** Verwenden Sie ein zweiadriges, nichtmetallisch gemanteltes Kabel mit Erdungsdraht (drei (3) Drähte insgesamt) für die eingehende Spannungsversorgung am Kamineinsatz. Verwenden Sie Kabel, die den örtlichen Vorschriften für elektrische Leistungsaufnahme entsprechen.

Eine Trennung Fähigkeit muss in die feste Verdrahtung nach den Regeln gebaut werden.

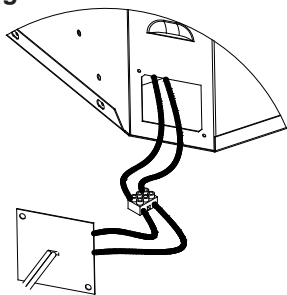
- ② Entfernen Sie die äußere Ummantlung und isolieren Sie die

## Einbau des Kamins

jeweiligen Kabel am Ende ab.

- ③ Lösen Sie die Schraube des Deckels der Anschlussdose und entfernen Sie den Deckel.
- ④ Nehmen Sie die Kabel aus der Verteilerdose, lösen Sie die Klemmleiste und entfernen Sie den

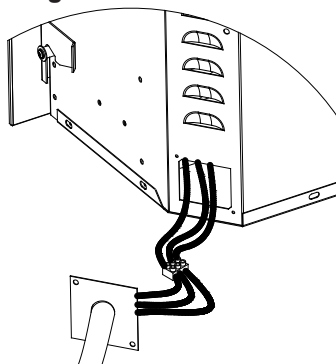
**Abbildung 2**



Kabelsatz (Abbildung 2).

- ⑤ Führen Sie den Draht der Spannungsversorgung durch das Loch am mitgelieferten alternativen Anschlussdosen-Deckel und sichern Sie ihn mit einer Drahtklemme (nicht mitgeliefert) (Abbildung 3).
- ⑥ Schließen Sie den stromführenden Draht der Einheit an den stromführenden Draht vom Netzteil an (Abbildung 3).
- ⑦ Schließen Sie den Nullleiter der Einheit an den Nullleiter vom Netzteil an (Abbildung 3).

**Abbildung 3**



- ⑧ Verbinden Sie den grünen Draht (Erdung) vom Gerät mit dem grünen Draht der Spannungsversorgung (Abbildung 3).
- ⑨ Platzieren Sie alle Anschlüsse im Gerät und sichern Sie den Deckel der Spannungsversorgung am Gerät. Stellen Sie sicher, dass die Kabelklemme nur die Ummantelung des Spannungsversorgungskabels greift.

**⚠ ACHTUNG:** Der Abstand für die Luftzirkulation unter dem Kamineinsatz wird durch zwei (2) GummifüÙe hergestellt.

**Stellen Sie den Kamineinsatz niemals direkt auf einem Teppich oder ähnlichen Oberflächen auf, die die Luftzirkulation einschränken könnten.**

## Einbau des Kamins

Bei Aufstellung des Kamins in einem Bereich mit Teppichen legen Sie zuerst eine feste, flache und einteilige Oberfläche unter den Kamineinsatz. Sorgen Sie dafür, dass beide FüÙe des

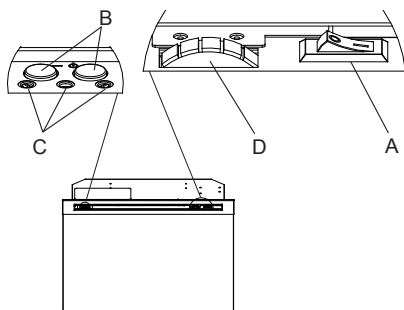
Kamineinsatzes sicher auf dieser Oberfläche stehen.

**! Hinweis:** Befestigen Sie das Gerät mit Schrauben durch die Bodenplatte unter das Protokoll gesetzt. Siehe Abb. 7.

## Betrieb

### Manueller Regler für Elektrischen Kamin

**Abbildung 4**



#### **A. Haupt Ein-/Aus-Schalter**

Der Haupt Ein-/Aus-Schalter sorgt für die Spannungsversorgung aller Kaminfunktionen.

#### **B. Knöpfe für manuelle Auswahl**

Mit den Knöpfen für die manuelle Auswahl werden die Funktionen des Kamins von Hand bedient.


Sobald der Kamin eingeschaltet

ist, geht der Kamin durch Druck auf den Knopf " I " durch die drei Betriebsstufen des Kamins:

Stufe 1: Der Flammeneffekt wird eingeschaltet und die erste Kontrolllampe leuchtet.

Stufe 2: Der Flammeneffekt bleibt aktiv, das Heizgerät wird bei niedriger Heizstufe eingeschaltet, und die erste sowie die zweite Kontrolllampe leuchten.

Stufe 3: Der Flammeneffekt bleibt aktiv, das Heizgerät wird auf die hohe Wärmestufe gestellt, und alle drei (3) Kontrolllampen leuchten.

Durch Drücken des Knopfes "  " zu einem beliebigen Zeitpunkt wird der Kamin ausgeschaltet.

#### **C. Kontrolllampen**

Die Kontrolllampen leuchten wenn der Kamin die verschiedenen Funktionsstufen durchläuft.

#### **D. Heizgerät Thermostat-Regler**

Um die Temperatur gemäß



## **Betrieb**

Ihren individuellen Bedürfnissen einzustellen, drehen Sie den Thermostat-Regler ganz aufwärts, um das Heizgerät einzuschalten. Wenn der Raum die gewünschte Temperatur erreicht hat, drehen Sie den Thermostat-Knopf abwärts, bis Sie ein Klicken hören. Belassen Sie ihn in dieser Stellung, um die Raumtemperatur bei dieser Einstellung zu belassen. Für stärkere Wärme drehen Sie aufwärts, bis Sie das Klicken erneut hören, dann schaltet das Heizgerät ein.

### **Zurücksetzen des Überhitzungsschalters**

Sollte das Heizgerät überhitzen, schaltet ein automatischer Überhitzungsschalter das Gerät aus, das sich ohne einen Reset nicht von selbst wieder einschaltet. Es lässt sich zurücksetzen, indem Sie den Haupt-Ein-/Aus-Schalter auf Aus stellen ("O") und fünf (5) Minuten warten, bevor Sie das Gerät wieder einschalten.

**⚠️ ACHTUNG:** Wenn Sie das Gerät fortlaufend zurücksetzen müssen, ziehen Sie den Netzstecker und rufen den Kundendienst an.

**⚠️ ACHTUNG:** Um eine Gefährdung durch unbeabsichtigtes Zurücksetzen der thermischen Sicherung auszuschließen,

darf dieses Gerät nicht über ein externes Schaltgerät, wie z.B. eine Zeitschaltuhr, mit Strom versorgt werden oder an einen Stromkreis angeschlossen werden, der regelmäßig durch den Stromversorger ein- und ausgeschaltet wird.

### **Fernbedienung**

Der Kamin wird mit einer Radiofrequenz-Fernbedienung ausgeliefert. Diese Fernbedienung hat eine Reichweite von ca. 15 m. Sie muss nicht auf den Kamin weisen und kann die meisten Hindernisse durchdringen (einschließlich Wände).

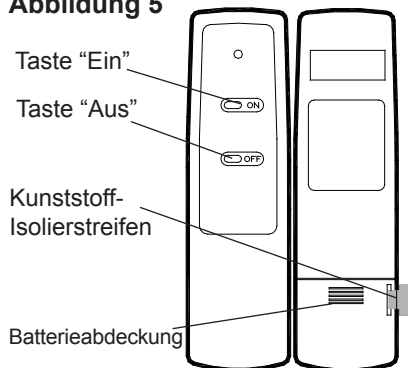
Sie ist mit einer von Hunderten unabhängiger Frequenzen ausgestattet, wodurch Interferenzen mit anderen Geräten vermieden werden.

**! HINWEIS:** Bevor Sie mit der Fernbedienung zu arbeiten beginnen, ziehen Sie den Kunststoff-Isolierstreifen zwischen Gehäuse der Fernbedienung und der Batterieabdeckung heraus (Abbildung 5).

### **Initialisierung der Fernbedienung**

Sollte die Fernbedienung Schwierigkeiten bei der Kommunikation mit dem Empfänger im Kamin haben, oder entweder die Fernbedienung oder der Empfänger

**Abbildung 5**



ersetzt werden, müssen Sie die Fernbedienung initialisieren.

Im ausgeschalteten Zustand:

- ① Stellen an der Haupt-Panel sicher, dass die Stromversorgung des Kamins hergestellt ist.
- ② Suchen Sie die manuellen Kontrollen und betätigen Sie den Haupt Ein- /Aus-Schalter (Abbildung 4-A).
- ③ Drücken und halten Sie den Schalter " I " gedrückt (Abbildung 4-B), bis alle Kontrolllampen aufblinken.
- ④ Drücken Sie auf der Fernbedienung die Taste ON (EIN). Die Kontrolllampen blinken schneller und erlöschen dann.

### **Benutzung der Fernbedienung**

Die Fernbedienung steuert die Stufen des Kamins in der Reihenfolge

(beginnend bei Aus): nur Flammen; zu Flammen und geringe Wärme; zu Flammen und hohe Wärme.

Die Stufe wird jeweils durch Druck auf die Taste ON (EIN) auf der Fernbedienung erhöht. Der Kamin lässt sich jederzeit durch Drücken der Taste OFF (Aus) abschalten.

### **Batterie-Austausch** (Abbildung 5)

So tauschen Sie die Batterie aus:

- ① Schieben Sie die Batterieabdeckung auf der Fernbedienung auf.
- ② Legen Sie eine (1) 12 V (A23) Batterie in die Batteriehalterung ein.
- ③ Schließen Sie die Batterieabdeckung.



## Wartung

### Austausch von Leuchtmitteln

Lassen Sie die Glühbirnen mindestens fünf (5) Minuten abkühlen, bevor Sie sie berühren, um Verbrennungen der Haut zu vermeiden.

Die Glühbirnen müssen ausgetauscht werden, sobald Sie einen dunklen Bereich auf der Flamme bemerken oder wenn die Klarheit und der Detailreichtum der Glut nachlassen. Es gibt zwei (2) Glühbirnen unter dem Holzstapel, die für Flammen und Glut sorgen.

### Anforderungen an die unteren Glühbirnen

Zwei (2) klare Kerzenlampen mit Fassung E14 (klein), 60W. Beispiel: GE 60BC oder Philips 60 CTC.

**Überschreiten Sie nicht 60 Watt pro Glühbirne.**

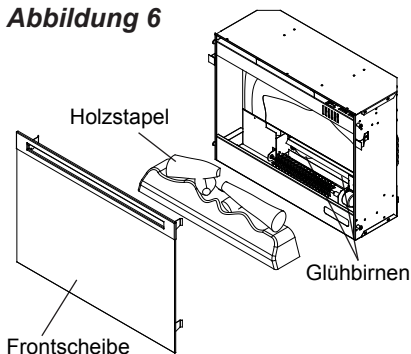
### Nützliche Hinweise

Es ist sinnvoll, alle Glühbirnen zugleich auszutauschen, wenn das Ende ihrer geschätzten Lebensdauer sich nähert. Der Austausch aller Birnen verringert die Häufigkeit des Öffnens, um Glühbirnen auszutauschen.

### So gelangen Sie in den oberen Glühbirnenbereich:

- ① Entfernen Sie den Front-Glasaufbau.
- ② Ziehen Sie die Vorderkante der Plastik-Glut oder des Plastik-Gitters nach oben und vorn, bis der hintere Teil sich vom Absatz unten am Spiegel löst (Abbildung 6).

**Abbildung 6**



**! WICHTIG:** Hantieren Sie mit dem Holzstapel nur am Glutbett.

**! HINWEIS:** Der Holzstapel sitzt fest in der Feuerkammer, daher kann es sein, dass er mit ein wenig Krafteinsatz entfernt werden muss.

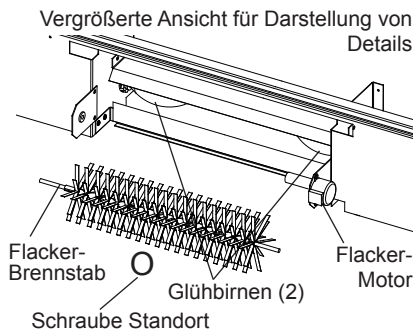
- ③ Stellen Sie den Holzstapel vor dem Kamin ab.
- ④ Ziehen Sie den Flacker-Brennstab nach rechts, so weit



## Wartung

wie möglich in die Gummitülle am Flacker-Motor-Schaft (Abbildung 7).

### Abbildung 7

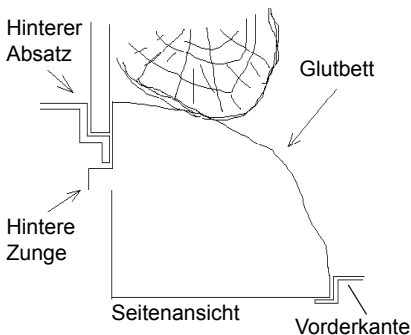


- ⑤ Schrauben Sie die Glühbirnen gegen den Uhrzeigersinn heraus.
- ⑥ Drehen Sie neue Glühbirnen ein.
- ⑦ Bringen Sie den Holzstapel wieder an, indem Sie die vordere, untere Kante des Glutbettes in die Schiene hinter der Frontplatte setzen. Ist er am richtigen Platz, drücken Sie an der hinteren Kante des Glutbettes nach unten, bis die hintere Zunge unter dem Spiegel einrastet (Abbildung 8).

**! HINWEIS:** Sorgen Sie dafür, dass der Holzstapel fest unter dem hinteren Absatz angebracht ist, damit kein Licht-Leck entsteht.

- ⑧ Setzen Sie den Glasaufbau wieder ein.

### Abbildung 8



### Anforderungen für obere Leuchtmittel

Zwei (2) klare Kerzenlampen mit Fassung E14 (klein), 15W.

### Überschreiten Sie nicht 15 Watt pro Glühbirne.

### So öffnen Sie den oberen Glühbirnenbereich:

- ① Entfernen Sie den Front-Glasaufbau.
- ② Die oberen Glühbirnen befinden sich in den Ecken oben links und rechts im Kamin (Abbildung 8).
- ③ Entfernen Sie die obere Lichtabdeckung für jede Birne (jeweils zwei (2) Kreuzschlitz-Schrauben).
- ④ Schrauben Sie die Glühbirnen gegen den Uhrzeigersinn heraus.



## Wartung

- ⑤ Drehen Sie die neuen Glühbirnen ein.
- ⑥ Bringen Sie das obere Lichtpanel wieder an.
- ⑦ Setzen Sie den Glasaufbau wieder ein.

### Glasreinigung

Das Glas wird in der Fabrik während des Zusammenbaus gereinigt. Während des Versands, der Montage, Handhabung usw. kann das Glas Staubpartikel anziehen. Diese lassen sich durch leichtes Abstauben mit einem sauberen, trockenen Tuch entfernen.

Um Fingerabdrücke und andere Flecken zu entfernen, kann das Glas mit einem feuchten Tuch gereinigt werden. Um Kratzer zu vermeiden, verwenden Sie keine aggressiven Reiniger und sprühen keine Flüssigkeiten auf die Glasoberfläche.

### Reinigen der Kaminoberfläche

Reinigen Sie die lackierten Oberflächen des elektrischen Kamins mit einem mit warmem Wasser angefeuchteten Tuch. Verwenden Sie keine aggressiven Reiniger.



## Ersatzteile

1. Holzstapel . . . . .	0439970100RP
2. Flacker-Motor . . . . .	2000210100RP
3. Heizgerät-Aufbau . . . . .	2200491100RP
4. Thermostat . . . . .	2300150100RP
5. Ausschnitt . . . . .	2300270100RP
6. Kabelbaum . . . . .	2500400500RP
7. Haupt Ein-/Aus-Schalter . . . . .	2800070700RP
8. Fernbedienung Empfänger . . . . .	3000380200RP
9. Klemmleiste . . . . .	4000080100RP
10. Kabelsatz . . . . .	4100040300RP
11. Flacker-Brennstab . . . . .	5901110100RP
12. Frontscheibe . . . . .	5901400100RP
13. Spiegel . . . . .	5901410200RP
14. Kontrollknopf . . . . .	8801080100RP
15. Fernbedienung . . . . .	3000370500RP

## Gewährleistung

Elektrische Kamine von Dimplex werden getestet und vor dem Versand inspiziert. Sie sind beim Kauf eines neuen Produkts garantiert frei von Defekten. Jedes Teil, das bei normaler Nutzung innerhalb eines Jahres Material- oder Verarbeitungsfehler aufweist, wird ohne Berechnung\* repariert oder ersetzt. Das Unternehmen übernimmt keinerlei Verantwortung für Kosten, die für Installation, Entfernung oder Wartung entstehen, einschließlich Transportkosten. Jeder solche Defekt sollte dem Händler, bei dem das Produkt erworben wurde, mitgeteilt werden - dieser ist autorisiert, es im Rahmen der Bedingungen dieser Gewährleistung zu reparieren oder zu ersetzen.

Die einzige Verpflichtung des Unternehmens unter dieser Gewährleistung besteht aus der alleinigen Option, defekte Teile zu reparieren oder zu ersetzen bzw. dessen Kaufpreis zu erstatten.

**Der Eigentümer/Benutzer übernimmt alle anderen Risiken, falls zutreffend, einschließlich des Risikos direkter, indirekter oder Folgeverlusten oder –Schäden, die aus der Verwendung oder Unfähigkeit zur Verwendung des Produkts entstehen.**

**Die Gewährleistung gilt nicht, wenn, nach alleiniger Beurteilung des Unternehmens, Schaden oder Versagen aus einem Unfall, Änderung, falsche Anwendung, Missbrauch, inkorrekte Installation oder Betrieb an einer ungeeigneten Spannungsquelle entsteht.**

Das Vorstehende steht anstelle aller anderen Gewährleistungen, ausdrücklich, impliziert oder gesetzlich, und das Unternehmen übernimmt keine anderen Verpflichtungen oder Haftungen im Zusammenhang mit dem genannten Produkt und autorisiert auch keine Person, solches zu tun.

**\*Glühlampen unterliegen nicht der Gewährleistung.**

### Service

Für Service- und Garantieinformationen wenden Sie sich bitte an Ihren Händler.


### Recycling



Bei elektrischen Produkten, die in der EU verkauft werden. Am Ende der Lebensdauer des elektrischen Produkts sollte dies nicht im Hausmüll entsorgt werden. Bitte führen Sie das Gerät der Wiederverwertung (Recycling) zu, sofern eine Einrichtung dafür vorhanden ist. Für die in Ihrem Land gültigen Recycling-Bestimmungen wenden Sie sich an Ihre zuständige Behörde oder Ihren Fachhändler.



Das Produkt entspricht der Europäischen Sicherheitsnorm EN60335-2-30 und der Europäischen Norm für elektromagnetische Verträglichkeit (EMC) EN55014, EN61000 sowie EN50366, welche die grundlegenden Anforderungen der EEG-Direktiven 2006/95 und 2004/108 abdecken.

<b>1. Warranty Card</b> 	<b>2. Guarantee Period (in Years)</b>	<b>3. Model(s)</b>	<b>4. Date of Purchase</b>
<b>5. Stamp &amp; Signature of retailer</b>			
<b>6. Fault/Defect</b>			
<b>7. Contact Number &amp; Address</b>			

**DE**

Glen Dimplex Deutschland GmbH  
 ewt-Kundendienst  
 +49 (911) 1805 / 398 346  
 Fax. +49 (911) 1805 / 355 467  
 (12Cr./Min aus dem dt. Festnetz)  
 service@glendimplex.de

**FR**

Glen Dimplex France  
 ZI Petite Montagne Sud  
 12 rue des Cévennes  
 91017 EVRY - LISSES  
 www.glendimplex-france.fr

**UK**

Glen Dimplex UK Limited  
 Millbrook House  
 Grange Drive  
 Hedge End  
 Southampton  
 Hampshire. SO30 2DF  
 0845 600 5111  
 Fax. 01489 773053  
 customer.services@glendimplex.com

**IT**

Glen-Dimplex Italia S.r.l.  
 via delle Rose 7,  
 24040 Ialio (BG)  
 035-201042  
 Fax 035-200492  
 info@glendimplex.it

**NZ**

Glen Dimplex Australasia  
 38 Harris Road  
 East Tamaki  
 Auckland  
 New Zealand  
 +64 9 274 8265  
 Fax. +64 9 274 8472  
 sales@glendimplex.co.nz

**AU**

Glen Dimplex Australia PTY Ltd  
 Unit 2, 205 Abbotts Road  
 Dandenong  
 Melbourne  
 Victoria 3175  
 Australia  
 +61 3 87873567  
 Fax. +61 3 87873570  
 salesgd@glendimplex.com.au

**ES**

Glen Dimplex España S.L.  
 C/ Bailén, 20. 4<sup>a</sup>, 2<sup>a</sup>  
 e-08010 BARCELONA  
 (+34) 93.238.61.59  
 Fax. (+34) 932384375



**UK / AU / NZ**

1. Warranty Card
2. Guarantee Period (in Years)
3. Model(s)
4. Date of Purchase
5. Stamp & Signature of retailer
6. Fault/Defect
7. Contact Number & Address

**DE**

1. Garantiekarte
2. Garantiezeitraum (in Jahre)
3. Modell(e)
4. Kaufdatum
5. Stempel & Unterschrift des Einzelhändlers
6. Fehler/Defekt
7. Kontakt-Tel.-Nr. & - Anschrift

**FR**

1. Bon de garantie
2. Période de garantie (en années)
3. Modèle(s)
4. Date d'achat
5. Cachet et signature du vendeur
6. Anomalie/Defaut
7. Nom et adresse du contact

**IT**

1. Scheda di garanzia
2. Periodo di garanzia (in anni)
3. Modello(i)
4. Data di acquisto
5. Timbro e firma del rivenditore
6. Guasto/difetto
7. Indirizzo e numero di contatto

**ES**

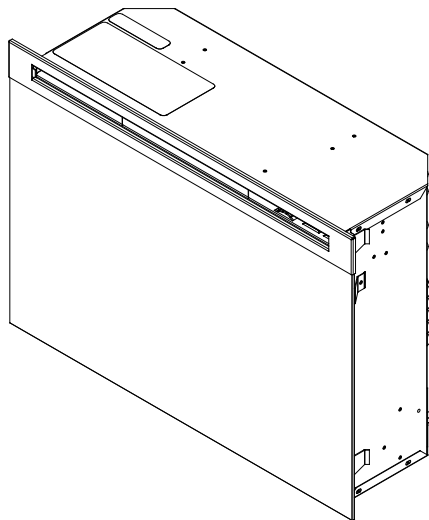
1. Tarjeta de garantía
2. Periodo de garantía (en años)
3. Modelo(s)
4. Fecha de adquisición
5. Sello y firma del distribuidor
6. Avería/Defecto
7. Número y dirección de contacto

**UA**

1. Гарантійний формуляр
2. Строк гарантії (років)
3. Модель(-и)
4. Дата придбання
5. Штамп і підпис дилера
6. Дефект
7. Контактна адреса та телефон

**RU**

1. Гарантийный формуляр
2. Срок гарантии (лет)
3. Модель(-и)
4. Дата приобретения
5. Печать и подпись Дилера
6. Дефект
7. Контактный адрес и телефон



# Instrukcja Obsługi Użytkownika

Model  
DF2550-EU

EN

RU

UA

FR

ES

IT

DE

**PO**









---

**WAŻNE INFORMACJE DOTYCZĄCE BEZPIECZEŃSTWA:** Zawsze przed próbą instalowania lub użycia kominka konieczne jest zapoznanie się z informacjami zawartymi w niniejszej instrukcji obsługi. Dla własnego bezpieczeństwa, należy zawsze stosować się do wszelkich ostrzeżeń i wskazówek bezpieczeństwa zawartych w niniejszej instrukcji, co pozwoli uniknąć obrażeń ciała i szkód materialnych.

7210730100R03



## Spis Treści

	Witamy i Gratulacje! . . . . .	3
	WAŻNE ZALECENIA . . . . .	4
	Wybór i przygotowanie miejsca montażu urządzenia . . . . .	6
	Podstawowe wskazówki praktyczne . . . . .	6
	Obsługa urządzenia . . . . .	11
	Utrzymanie i konserwacja . . . . .	14
	Części zamienne . . . . .	16
	Gwarancja . . . . .	17

W przypadku konieczności naprawy kominka, zawsze należy korzystać z usług wykwalifikowanego technika lub zakładu naprawy sprzętu.

**! WAŻNE:** Czynności i zabiegi uważane za ważne na tyle, że wymagają podkreślenia.

**⚠ UWAGA:** Czynności i zabiegi, których nieprzestrzeganie spowoduje uszkodzenie urządzenia.

**⚠ OSTRZEŻENIE:** Czynności i zabiegi, których nieprzestrzeganie narazi użytkownika urządzenia na zagrożenie pożarowe, poważne obrażenie ciała, chorobę, lub śmierć.

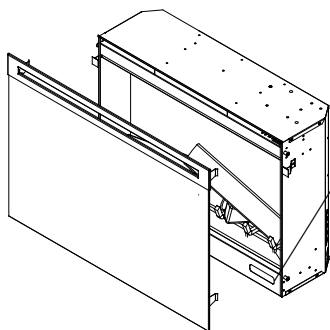
## Witamy i Gratulacje!

Dziękujemy za wybór naszego produktu i gratulujemy zakupu kominka elektrycznego firmy Dimplex, światowego lidera w branży kominków elektrycznych.

**Prosimy o dokładne przeczytanie i zachowanie niniejszych zaleceń.**

**⚠ UWAGA:** Wszystkie zalecenia i ostrzeżenia należy przeczytać przed rozpoczęciem instalowania urządzenia. Niedostosowanie się do niniejszych zaleceń może prowadzić do porażenia prądem i zagrożeń pożarowych oraz unieważni gwarancję.

Prosimy zanotować poniżej numer modelu oraz numer seryjny urządzenia, do wykorzystania w czasie użytkowania urządzenia. Numer modelu i seryjny znajdują się na etykiecie z numerem modelu i seryjnym kominka.



**NIE MA POTRZEBY WRACANIA DO SKLEPU**

**Jak złożyć kominek?**

**Informacje o częściach zamiennych?**

**Informacje o gwarancji?**



**Zadzwoń do lokalnego przedstawiciela**

Prosimy o wcześniejsze sprawdzenie numeru modelu oraz numeru seryjnego posiadanego przez Państwa urządzenia. (zob. poniżej)

Numer modelu

MODEL/CAT. No.	<input type="text"/>	MOD.	<input type="checkbox"/>
SERIAL No.	<input type="text"/>	<input type="text"/>	<input type="text"/>

Numer seryjny

# WAŻNE ZALECENIA

- ① Należy zapoznać się dokładnie z niniejszą instrukcją przed użyciem urządzenia.
- ② Kominek jest gorący w czasie poparzenia nie należy dotykać jego elementów gołą skórą. Obudowa wokół wylotu kominka nagrzewa się w czasie pracy grzejnika. Przedmioty łatwopalne, takie jak meble, poduszki, pościel, papier, ubrania, czy firany powinny znajdować się w odległości co najmniej 0,9 m od urządzenia.
- ③ Szczególną ostrożność należy zachować, kiedy w pobliżu grzejnika znajdują się dzieci, lub osoby niepełnosprawne, czy też w przypadku pozostawienia włączonego urządzenia bez żadnego nadzoru.
- ④ Urządzenie należy zawsze wyłączać z prądu, gdy nie jest w użyciu.
- ⑤ Nie należy używać urządzenia z zepsutym przewodem zasilającym, wtyczką, jeśli grzejnik wcześniej nie działał, lub kiedy kominek elektryczny został upuszczony, lub uszkodzony w jakimkolwiek zakresie. Grzejnik należy wtedy zanieść do punktu naprawy w celu jego sprawdzenia, regulacji elektrycznej lub mechanicznej, albo naprawy.
- ⑥ Do użytku w pomieszczeniach zamkniętych.
- ⑦ Kominka elektrycznego nie wolno używać w łazienkach, pralniach i tym podobnych pomieszczeniach. Nie należy umieszczać kominka w miejscu, gdzie może wpaść do wanny, lub innego pojemnika na wodę.
- ⑧ Nie należy przekładać przewodu zasilającego pod wykładziną. Na przewodzie nie należy kłaść dywaników, bieżników i tym podobnych. Przewód powinien być tak umiejscowiony, żeby nie przeszkadzał osobom przechodzącym i nie stanowił zagrożenia potknięcia się o niego.
- ⑨ Aby odłączyć urządzenie, należy wyłączyć przyciski, a następnie wyciągnąć wtyczkę z gniazdka.
- ⑩ Nie należy dopuścić do tego, aby w otworach wylotowych czy wentylacyjnych urządzenia znajdowały się jakieś przedmioty, ponieważ mogą one spowodować porażenie prądem, pożar, lub uszkodzić urządzenie.
- ⑪ Aby zapobiec ewentualności pożaru, nie należy w żaden sposób blokować wlotów i wylotów powietrza. Nie należy używać na podłogach miękkich, jak na przykład łóżko, które mogą spowodować zablokowanie otwarć urządzenia.
- ⑫ Wszystkie urządzenia elektryczne posiadają wewnątrz gorące elementy łukowe lub iskrowe. Urządzenie nie może być używane w pomieszczeniach, gdzie przechowuje się paliwo, farby lub łatwopalne płyny, albo w miejscach, gdzie możliwy jest jego kontakt z łatwopalnymi oparami.
- ⑬ Kominek elektryczny nie powinien być przerabiany. Należy go używać zgodnie z zaleceniami zawartymi w niniejszej instrukcji. Eksploatacja urządzenia niezgodnie z zaleceniami producenta może spowodować pożar, porażenie

# WAŻNE ZALECENIA

prądem, lub obrażenia ciała.

⑭ Należy unikać używania przedłużacza kablowego lub listwowego. Przedłużacz kablowy lub listwowy może ulec przegrzaniu i stanowić zagrożenie pożarowe. Jeśli użycie przedłużacza kablowego lub listwowego jest konieczne, powinien to być przedłużacz posiadający 3 gniazda z bolcem, przeznaczony do natężeń prądu co najmniej 10 Amp.

⑮ W kominku elektrycznym nie należy spalać drewna lub innych materiałów.

⑯ Nie należy uderzać szyby kominka.

⑰ Do instalowania nowych gniazdek i połączeń elektrycznych należy korzystać z usług wykwalifikowanego elektryka.

⑱ Gniazdko elektryczne powinny posiadać prawidłowe uziemienie oraz bezpieczniki.

⑲ Przed czyszczeniem, zabiegami konserwacyjnymi, lub przenoszeniem urządzenia w inne miejsce konieczne jest jego odłączenie z prądu.


⑳ W czasie transportu, lub przechowywania urządzenia wraz

z przewodem zasilającym, powinno się ono znajdować w pomieszczeniu suchym, nie narażonym na nadmierne wibracje i chroniącym urządzenie przed uszkodzeniem.

㉑ Urządzenie to nie jest przeznaczone dla osób (w tym dzieci) o ograniczonych zdolnościach fizycznych, umysłowych, lub czucia, lub dla osób nie posiadających doświadczenia, lub wiedzy na temat korzystania z urządzenia, chyba, że są one nadzorowane i poinstruowane w zakresie użytkowania kominka przez osobę, która jest odpowiedzialna za ich bezpieczeństwo.

㉒ Małym dzieciom nie powinno pozwalać się na zabawę urządzeniem.

㉓ Jeśli przewód zasilający urządzenia zostanie uszkodzony, należy skontaktować się z producentem urządzenia, jego przedstawicielem, lub inną wykwalifikowaną osobą w celu jego wymiany, co zapewni uniknięcie niebezpiecznych sytuacji.

 **OSTRZEŻENIE:** Aby uniknąć przegrzania, nie należy przykrywać grzejnika.

Grzejnik posiada symbol ostrzegawczy



oznaczający, że nie wolno go

przykrywać.



NIEBEZPIECZYSTWO PORAŻENIA PRĄDEM  
NIE OTWIERAĆ  
NIE ZAWIERA CZĘŚCI NAPRAWIALNYCH  
PRZEZ UŻYTKOWNIKA



**POWYŻSZE ZALECENIA NALEŻY ZACHOWAĆ**



## Podstawowe wskazówki praktyczne

- ① Przed pierwszym użyciem kominka należy sprawdzić:
  - Czy włączone są wszystkie bezpieczniki sieci, do której podłączono kominek?
  - Czy są podokręcane wszystkie żarówki w kominku? (Sprawdzenia żarówek należy dokonać według zaleceń dotyczących ich wymiany, które zawarte są w rozdziale Utrzymanie i Konserwacja niniejszej instrukcji)
- ② Grzejnik kominka może na początku wydawać małe ilości Zapach ten zwykle towarzyszy początkowemu nagrzewaniu się grzejnika wewnętrznego i nie będzie się pojawiać w późniejszym okresie.
- ③ Informacje na temat numeru modelu kominka są umieszczone na tabliczce znamionowej znajdującej się z tyłu urządzenia.



## Wybór i przygotowanie miejsca montażu urządzenia

### ! WAŻNA INFORMACJA (1):

Wymagany obwód zasilający to 10 Amp oraz 240 volt. Osobny obwód zasilający jest wskazany, ale niekonieczny. Instalacja osobnego obwodu zasilającego będzie potrzebna w przypadkach, gdy po montażu, uruchomienie grzejnika będzie powodować częste wybicie korków. Dodatkowe urządzenia zasilane z tego samego obwodu mogą powodować przeciążenia w bezpiecznikach.

**⚠ OSTRZEŻENIE:** Należy sprawdzić, czy przewód zasilający

nie jest nigdzie zagięty, lub czy nie dotyka żadnej ostrej krawędzi; dodatkowo sprawdzić należy jego schowanie lub przebieg w takim miejscu, by nie przeszkadzał on osobom przechodzącym i nie stanowił zagrożenia potknięcia się o niego, co ograniczy zagrożenie pożarowe, porażenia prądem, lub obrażeń ciała.

Aby ograniczyć zagrożenie pożarowe, czy wypadki z możliwością obrażenia ciała, sposób wykonania otwarcia oraz instalacji zasilającej gniazdko musi odpowiadać lokalnie

## Wybór i przygotowanie miejsca montażu urządzenia

obowiązującym specyfikacjom budowlanym i innym przepisom w tej dziedzinie.

Zakładania gniazdek oraz podłączeń instalacji elektrycznej nie należy wykonywać na własną rękę. W celu ograniczenia zagrożeń pożarowych, porażenia prądem, czy obrażeń ciała powinno się zawsze korzystać z usług wykwalifikowanego elektryka.

Ten rozdział opisuje w jaki sposób wybrać miejsce montażu i jak je przygotować do złożenia kominka wraz z obudową firmy Dimplex.

① Odpowiednie miejsce nie powinno być podatne na wilgoć i znajdować się z dala od zasłon, mebli, czy też miejsc, przez które domownicy często przechodzą.

② Ze względu na łatwiejsze podłączenie do gniazdka, wybór miejsca montażu urządzenia

może zależeć od odległości do gniazdka elektrycznego (zobacz WAŻNA INFORMACJA 1).

③ Kominek należy odstawić w miejsce bezpieczne, suche i wolne od kurzu.

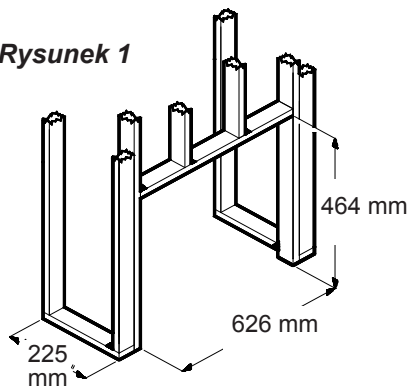
**! WAŻNE:** Wymiary kominka to: szerokość 661 mm X wysokość 480 mm X głębokość 223 mm. Kominek ten nie wymaga dodatkowego podłączenia do wentylacji.

④ Urządzenia nie można montować bezpośrednio pod gniazdem elektrycznym.



## Montaż kominka

Rysunek 1



① Kominek należy wbudować w obramowanie (zobacz instrukcje dotyczące składania obramowania) i złożyć obramowanie zgodnie z instrukcjami składania obramowania.

**! WAŻNE:** Jeśli nie zdecydujecie się na korzystanie z obramowania firmy Dimplex, potrzebne będzie wykonanie wnęki o minimalnych wymiarach otwarcia, jak przedstawiono na rysunku 1.

### Montaż w nowo wykonanej wnęce w ścianie

① Odpowiednie miejsce nie powinno być podatne na wilgoć i znajdować się z dala od zasłon, mebli, czy też miejsc, przez które domownicy często przechodzą.

② Powinno się postawić kominek w wybranym miejscu i zobaczyć jak będzie wyglądać w pomieszczeniu.

③ Wybrany punkt należy zaznaczyć na podłodze, a kominek odstawić w miejsce bezpieczne, suche i wolne od kurzu.

④ Używając desek, zbudować otwarcie o wymiarach: szerokość 626 mm X wysokość 464 mm X głębokość 225 mm.

**Opcja nr 1:** Przewód zasilający można wyprowadzić poza obudowę wzdłuż ściany do gniazdka w pobliżu kominka.

**Opcja Nr 2 -** Nowe gniazdko można zainstalować wewnątrz zbudowanego otwarcia. Wtyczkę urządzenia należy włożyć do gniazdka 10 Amp, 240 volt. Jeśli przewód jest za krótki, możliwe jest użycie 3- gniazdowego przedłużacza z bolcem, odpowiedniego do przekazywania prądu o natężeniu minimum 10 Amp.

**Opcja #3 -** Osobne podłączenie

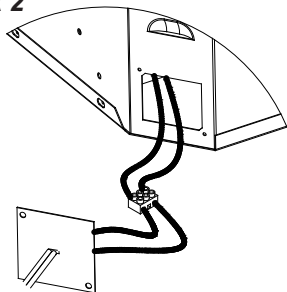
① Podłączyć osobny, prawidłowo zabezpieczony

## Montaż kominka

obwód o mocy 230 V 10 amp. Podłączenie powinno posiadać kabel o odległości co najmniej 2,4 m, łączący źródło zasilania ze skrzynką przyłączową kominka, po wykończeniu ściany.

**⚠ UWAGA:** Do zasilania wkładu kominka należy używać dwu-przewodnikowego kabla z uziemieniem w niemetalicznej osłonie (razem 3 (trzy) druty). Konieczne

**Rysunek 2**

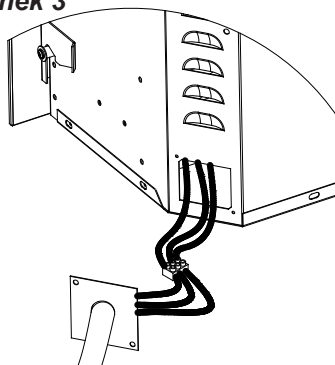


jest zastosowanie przewodu odpowiadającego lokalnym wymaganiom, odpowiedniego do przekazywania danego natężenia prądu.

Podłączenie to musi również posiadać możliwość wyłączenia dopływu prądu.

② Usunąć zewnętrzne zabezpieczenie i odsłonić końcówkę przewodu.

**Rysunek 3**



③ Poluzować wkręty przytrzymujące pokrywę skrzynki przyłączeniowej urządzenia i zdjąć pokrywę

④ Wyciągnij przewody ze skrzynki przyłączeniowej, poluźnij listwę zaciskową i wyciągnij przewód zasilający. (Rysunek 2)

⑤ Przewód zasilający należy przeprowadzić przez przejście w zastępczej pokrywie skrzynki, dołączonej do zestawu, i docisnąć zaciskiem (nie dołączonym do zestawu) (Rysunek 3).

⑥ Przewód pod napięciem z urządzenia należy połączyć z przewodem pod napięciem sieci zasilania. (Rysunek 3)

## Montaż kominka

- ⑦ Podłącz przewód neutralny z urządzenia z przewodem neutralnym z sieci zasilania. (Rysunek 3)
  - ⑧ Przewód zielony (uziemiaenie) należy połączyć z zielonym przewodem z sieci zasilającej (Rysunek 3).
  - ⑨ Schowaj wszystkie połączenia w skrzynce przyłączeniowej i załóż pokrywę skrzynki na urządzenie. Dopilnować, by zacisk uchwycił jedynie osłonę kabla podłączeniowego.
- ! UWAGA:** Odstęp zapewniający cyrkulację powietrza pod kominkiem uzyskuje się dzięki dwóm (2) gumowym stopkom.

**Nie należy montować urządzenia bezpośrednio na wykładzinie, lub temu podobnej powierzchni, która może ograniczyć dostęp powietrza.**

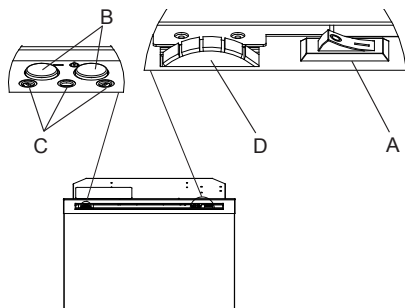
W razie montażu kominka w pomieszczeniu posiadającym wykładzinę podłogową, pod wkładem kominka należy umieścić materiał o płaskiej, twardej powierzchni w jednym kawałku. Należy sprawdzić, czy obie stopki wkładu stoją mocno na tej powierzchni.

**! UWAGA:** Urządzenie należy przykręcić śrubami od spodu, przez listwę pod zestawem kłód. Zob. Rys. 7

## 👉 Obsługa urządzenia

### Sterowanie ręczne kominka elektrycznego

Rysunek 4



#### A. Wyłącznik główny

Wyłącznik główny dostarcza prąd do wszystkich funkcji urządzenia.

#### B. Przyciski sterowania ręcznego

Przyciski sterowania ręcznego pozwalają na ręczne sterowanie funkcjami urządzenia.

Po włączeniu urządzenia, naciskanie przycisku „I” spowoduje przechodzenie przez kolejne trzy poziomy działania kominka:

Poziom Nr 1: Włączony jest efekt płomienia i zaświeca się pierwsza kontrolka świetlna.

Poziom Nr 2: Efekt płomienia pozostaje włączony, dodatkowo

uruchamiany jest grzejnik z grzaniem w niższym przedziale temperatur i zapala się pierwsza oraz druga kontrolka świetlna.

Poziom Nr 3: Efekt płomienia pozostaje włączony, uruchamia się grzanie grzejnika w wyższym przedziale temperatur, a na konsoli urządzenia świecą się wszystkie trzy (3) kontrolki świetlne.

Naciśnięcie przycisku "⊕" w obojętnie którym momencie, spowoduje wyłączenie kominka.

#### C. Kontrolki świetlne

Kontrolki świetlne zapalają się, kiedy urządzenie przechodzi przez różne tryby działania.

#### D. Przełącznik termostatu grzejnika

Aby dostosować temperaturę do indywidualnych wymogów użytkownika należy najpierw włączyć grzejnik przesuwając przełącznik termostatu do samego końca. Kiedy pomieszczenie osiągnie wymaganą temperaturę, przełącznik należy przesunąć w dół, aż do usłyszenia kliknięcia. Ustawienie w tej pozycji

## Obsługa urządzenia

będzie utrzymywać pożądaną temperaturę pomieszczenia. Aby podwyższyć temperaturę, należy przesunąć przełącznik w górę do usłyszenia kolejnego kliknięcia, oznaczającego włączenie grzejnika.

### Przestawianie termostatu przegrzewania

W wypadku przegrzewania, automatyczny termostat wyłączy kominek, którego nie będzie można włączyć bez przestawienia. Można go przestawić wyłączając główny wyłącznik (ustawiając go w pozycji „O”), odczekać 5 minut i ponownie włączyć urządzenie.

**⚠ UWAGA:** Jeśli zachodzi potrzeba ciągłego przestawiania grzejnika, urządzenie należy wyłączyć z prądu i skontaktować się z lokalnym przedstawicielem.

**⚠ UWAGA:** Aby uniknąć niebezpiecznych sytuacji związanych z przypadkowym przestawieniem termostatu przegrzania, urządzenie to nie powinno być podłączone do sieci sterowanej za pomocą osobnego przełącznika, jak na przykład regulatora

czasowego, czy też podłączone do obwodu, który jest okresowo wyłączany przez zakład energetyczny.

### Zdalne sterowanie

Kominek jest wyposażony w pilota o częstotliwości radiowej. Pilot działa w zasięgu do około 15 m (25 stóp). Nie trzeba nakierowywać go w kierunku kominka i jego działanie utrzymuje się pomimo przeszkód na drodze fal radiowych (np. ścian).

Nastawiona częstotliwość pilota jest jedną z setek niezależnych od siebie częstotliwości, co ma na celu zapobiec zakłóceniom ze strony innych urządzeń.

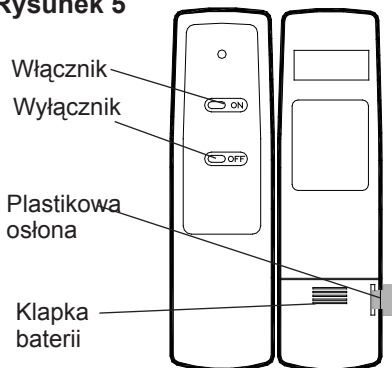
**! WAŻNE:** Przed korzystaniem z pilota należy usunąć plastikowy pasek ochronny, wystający pomiędzy obudową pilota, a klapką baterii. (Rysunek 5)

### Wstępne ustawienie pilota

W przypadku utrudnień w komunikacji pomiędzy odbiornikiem pilota a urządzeniem, lub w przypadku konieczności wymiany płyty pilota

## 👉 Obsługa urządzenia

Rysunek 5



lub odbiornika, zachodzi potrzeba wstępnego ustawienia pilota.

Przy wyłączonym urządzeniu:

- ① Sprawdź, czy główny obwód urządzenia jest zasilany prądem.
- ② Zlokalizować przyciski do ręcznego sterowania w włączyć przycisk On/Off. (Rysunek 4-A).
- ③ Nacisnąć i przytrzymać przycisk "I" (Rysunek 4-B), aż zapalą się wszystkie kontrolki.
- ④ Nacinać przycisk WŁĄ (ON) na pilocie. Kontrolki będą migać szybko a następnie zgasną.

## Obsługa pilota

Pilot kontroluje działanie urządzenia w sposób sekwencyjny (od pozycji wyłączonej) : od efektu płomienia do płomienia z grzaniem w niskim przedziale temperatur, oraz do wysokiego przedziału temperatur.

Podwyższenie poziomu następuje każdorazowo po naciśnięciu przycisku WŁĄCZ/ON, a kominek można wyłączyć w każdym momencie po naciśnięciu przycisku WYŁ/ OFF.

## Wymiana baterii (Rysunek 5)

Aby wymienić baterię:

- ① Odsunąć klapkę baterii na pilocie.
- ② Prawidłowo włożyć baterię 1 volt (A23) do urządzenia.
- ③ Zasunąć z powrotem klapkę baterii.



## Utrzymanie i konserwacja

### Wymiana żarówek

Po wyłączeniu żarówek urządzenia należy odczekać przynajmniej pięć (5) minut i pozwolić na ich ostygnięcie, aby uniknąć przypadkowego poparzenia skóry.

Zarówki powinny być wymienione w razie zauważenia przyciemnienia płomienia, lub kiedy zanika ostrość i wyrazistość zarysu palących się kłód i ich podłoża w kominku. Pod kłódami u dołu kominka znajdują się dwie (2) żarówki oświetlające płomienie i węgle.

### Wymiana żarówek dolnych

Dwie (2) przezroczyste żarówki typu świecówki z trzonkiem E-14 (małym), 60 watowe. Przykład: GE 60BC lub Philips 60 CTC.

**Moc żarówki nie powinna przekraczać 60 W.**

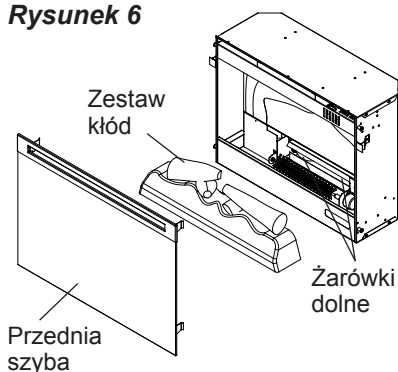
### Pomocne wskazówki

Dobrze jest wymienić wszystkie żarówki w tym samym czasie, jeśli zbliża się koniec ich zakładanego okresu użytkowania. Wymiana grupowa zmniejsza częstotliwość otwierania urządzenia w celu wymiany żarówki.

### Dostęp do żarówek dolnych:

- ① Usunąć przednią szybę.
- ② Unieść przednią część zestawu kłód, lub plastikową kratkę do góry, a następnie do przodu, aż tylna wypustka swobodnie wyjdzie spod występu tylnego, znajdującego się na spodzie lustra. (Rysunek 6).

### Rysunek 6



**! WAŻNE:** Zestaw kłód należy chwytać jedynie za ich podkład.

**! WAŻNE:** Zestaw kłód jest ściśle dopasowany do wnętrza kominka; aby go wyciągnąć, konieczne może być użycie siły.

- ③ Położyć zestaw kłód przed kominkiem.
- ④ Przesunąć pręt migoczący jak najdalej w prawo, wsuwając go w gumową tuleję na wale silniczka (Rysunek 7).



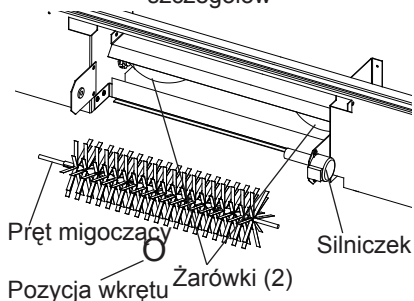
## Utrzymanie i konserwacja

⑤ Odkręcić żarówki przeciwnie do ruchu wskazówek zegara.

⑥ Włożyć nowe żarówki.

### Rysunek 7

Powiększenie w celu pokazania szczegółów



⑦ Kłody wsadza się z powrotem wkładając przednią spodnią krawędź kłód w prowadnicę za przednią listwą. Po ułożeniu, docisnąć tylną krawędź kłód aż tylna wypustka wskoczy na swoje miejsce pod lustrem. (Rysunek 8).

**! WAŻNE:** Należy sprawdzić, czy zestaw kłód dolega prawidłowo i czy jest włożony pod tylny występ, tak, aby zapobiec rozpraszaniu światła.

⑧ Założyć z powrotem szybę.

## Czyszczenie szyby

Szybę czyści się u producenta podczas składania fabrycznego

### Rysunek 8



urządzenia. Podczas przewozu, montażu, przenoszenia, itp. przezroczysta szyba może zostać zakurzona; odkurzenia można dokonać za pomocą czystej suchej szmatki.

Do usunięcia odcisków palców lub innych zabrudzeń na szybie można użyć wilgotnej szmatki. Aby nie zadrapać szyby, nie należy stosować środków mogących zarysować powierzchnię drzewiczek szklanych.

## Czyszczenie powierzchni kominka

Do czyszczenia elementów lakierowanych kominka należy używać szmatki lekko zmoczonej w ciepłej wodzie. Nie należy stosować środków rysujących powierzchnie.





## Części zamienne

1. Zestaw kłód . . . . .	0439970100RP
2. Silniczek napędzający pręt migoczący . . . . .	2000210100RP
3. Dmuchawa . . . . .	2200491100RP
4. Termostat . . . . .	2300150100RP
5. Termostat przegrzania . . . . .	2300270100RP
6. Złącze wielostykowe przewodów . . . . .	2500400500RP
7. Włącznik/Wyłącznik . . . . .	2800070700RP
8. Odbiornik pilota . . . . .	3000380200RP
9. Listwa zaciskowa . . . . .	4000080100RP
10. Zestaw kabli . . . . .	4100040300RP
11. Pręt migoczący . . . . .	5901110100RP
12. Przednia szyba . . . . .	5901400100RP
13. Lustro . . . . .	5901410200RP
14. Pokrętko . . . . .	8801080100RP
15. Pilot . . . . .	3000370500RP



## Gwarancja

Kominki Elektryczne Dimplex podlegają testom i kontroli przed ich dowozem do odbiorcy i każdy nowy produkt posiadają gwarancję, iż jest wolny od uszkodzeń. Wszystkie części, które w trakcie normalnego użytkowania urządzenia okażą się wadliwe pod względem materiałowym, lub wykonawstwa będą naprawione, lub wymienione nieodpłatnie.\* Producent nie ponosi kosztów związanych z montażem, usunięciem w celu naprawy, lub dowozem urządzenia. Wady wykryte w urządzeniu należy zgłosić w punkcie zakupu urządzenia, który jest autoryzowanym dealerem uprawnionym do dokonywania napraw zgodnie z warunkami gwarancji.

Jedynym obowiązkiem producenta, wypływającym z niniejszej gwarancji jest opcja naprawy lub wymiany części wadliwej, lub zwrot jej kosztów.

**Kupujący ponosi wszelkie inne ewentualne ryzyko, włącznie z bezpośrednią, pośrednią lub wynikłą szkodą poniesioną w związku z użytkowaniem, lub niemożnością użytkowania urządzenia.**

**Gwarancja nie obowiązuje, jeśli w mniemaniu producenta, dane uszkodzenie lub awaria są następstwem wypadku, przerobienia, niewłaściwego użycia, nadużycia, niewłaściwego montażu, lub eksploatacji urządzenia podłączonego do niewłaściwego źródła zasilania prądem.**

Powyższa gwarancja zastępuje wszystkie inne gwarancje wyraźnie określone, dorozumiane, lub wynikające z przepisów prawa, a producent nie ponosi i nie upoważnia osób trzecich do poniesienia żadnych innych obowiązków, czy odpowiedzialności za wyżej wymienione urządzenie.

**\* Gwarancja nie obejmuje żarówek.**

### Naprawy

Informacji odnośnie gwarancji, czy autoryzowanych punktów napraw udziela lokalny przedstawiciel handlowy.


### Utylizacja.



Dotyczy urządzeń elektrycznych sprzedawanych w krajach Wspólnoty Europejskiej. Zużytego sprzętu elektrycznego nie można wyrzucać wraz ze śmieciami do normalnych pojemników na odpady. Wskazane jest oddanie zużytego sprzętu do punktów recyklingu. Po informacji odnośnie zasad prowadzenia recyklingu zużytego sprzętu w danym kraju, użytkownik powinien skontaktować się z władzami lokalnymi, lub przedstawicielem handlowym.



Niniejszy produkt odpowiada europejskiej normie bezpieczeństwa Nr EN60335-230 oraz normom dotyczącym kompatybilności elektromagnetycznej (EMC) EN55014, EN61000 i EN50366, które obejmują podstawowe wymogi Dyrektyw UE Nr 2006/95 oraz 2004/108.

<p><b>1. Warranty Card</b></p> 	<p><b>2. Guarantee Period (in Years)</b></p>	<p><b>3. Model(s)</b></p>	<p><b>4. Date of Purchase</b></p>																
<p><b>5. Stamp &amp; Signature of retailer</b></p> <p><b>6. Fault/Defect</b></p>																			
<p><b>7. Contact Number &amp; Address</b></p> <table border="0"> <tr> <td data-bbox="476 97 528 371"> <p><b>DE</b></p> </td> <td data-bbox="476 371 528 640"> <p>Glen Dimplex Deutschland GmbH ewt-Kundendienst +49 (911) 1805 / 398 346 Fax. +49 (911) 1805 / 355 467 (12Cr./Min aus dem dt. Festnetz) service@glendimplex.de</p> </td> <td data-bbox="476 640 528 910"> <p><b>FR</b></p> </td> <td data-bbox="476 910 528 1323"> <p>Glen Dimplex France ZI Petite Montagne Sud 12 rue des Cévennes 91017 EVRY - LISSES www.glendimplex-france.fr</p> </td> </tr> <tr> <td data-bbox="528 97 580 371"> <p><b>UK</b></p> </td> <td data-bbox="528 371 580 640"> <p>Glen Dimplex UK Limited Millbrook House Grange Drive Hedge End Southampton Hampshire. SO30 2DF 0845 600 5111 Fax. 01489 773053 customer.services@glendimplex.com</p> </td> <td data-bbox="528 640 580 910"> <p><b>ES</b></p> </td> <td data-bbox="528 910 580 1323"> <p>Glen Dimplex España S.L. C/ Bailén, 20. 4º, 2ª e-08010 BARCELONA (+34) 93.238.61.59 Fax. (+34) 932384375</p> </td> </tr> <tr> <td data-bbox="580 97 631 371"> <p><b>IT</b></p> </td> <td data-bbox="580 371 631 640"> <p>Glen-Dimplex Italia S.r.l. via delle Rose 7, 24040 Ialio (BG) 035-201042 Fax 035-200492 info@glendimplex.it</p> </td> <td data-bbox="580 640 631 910"> <p><b>AU</b></p> </td> <td data-bbox="580 910 631 1323"> <p>Glen Dimplex Australia PTY Ltd Unit 2, 205 Abbotts Road Dandenong Melbourne Victoria 3175 Australia +61 3 87873567 Fax. +61 3 87873570 salesgd@glendimplex.com.au</p> </td> </tr> <tr> <td data-bbox="631 97 683 371"> <p><b>NZ</b></p> </td> <td data-bbox="631 371 683 640"> <p>Glen Dimplex Australasia 38 Harris Road East Tamaki Auckland New Zealand +64 9 274 8265 Fax. +64 9 274 8472 sales@glendimplex.co.nz</p> </td> <td colspan="2"></td> </tr> </table>				<p><b>DE</b></p>	<p>Glen Dimplex Deutschland GmbH ewt-Kundendienst +49 (911) 1805 / 398 346 Fax. +49 (911) 1805 / 355 467 (12Cr./Min aus dem dt. Festnetz) service@glendimplex.de</p>	<p><b>FR</b></p>	<p>Glen Dimplex France ZI Petite Montagne Sud 12 rue des Cévennes 91017 EVRY - LISSES www.glendimplex-france.fr</p>	<p><b>UK</b></p>	<p>Glen Dimplex UK Limited Millbrook House Grange Drive Hedge End Southampton Hampshire. SO30 2DF 0845 600 5111 Fax. 01489 773053 customer.services@glendimplex.com</p>	<p><b>ES</b></p>	<p>Glen Dimplex España S.L. C/ Bailén, 20. 4º, 2ª e-08010 BARCELONA (+34) 93.238.61.59 Fax. (+34) 932384375</p>	<p><b>IT</b></p>	<p>Glen-Dimplex Italia S.r.l. via delle Rose 7, 24040 Ialio (BG) 035-201042 Fax 035-200492 info@glendimplex.it</p>	<p><b>AU</b></p>	<p>Glen Dimplex Australia PTY Ltd Unit 2, 205 Abbotts Road Dandenong Melbourne Victoria 3175 Australia +61 3 87873567 Fax. +61 3 87873570 salesgd@glendimplex.com.au</p>	<p><b>NZ</b></p>	<p>Glen Dimplex Australasia 38 Harris Road East Tamaki Auckland New Zealand +64 9 274 8265 Fax. +64 9 274 8472 sales@glendimplex.co.nz</p>		
<p><b>DE</b></p>	<p>Glen Dimplex Deutschland GmbH ewt-Kundendienst +49 (911) 1805 / 398 346 Fax. +49 (911) 1805 / 355 467 (12Cr./Min aus dem dt. Festnetz) service@glendimplex.de</p>	<p><b>FR</b></p>	<p>Glen Dimplex France ZI Petite Montagne Sud 12 rue des Cévennes 91017 EVRY - LISSES www.glendimplex-france.fr</p>																
<p><b>UK</b></p>	<p>Glen Dimplex UK Limited Millbrook House Grange Drive Hedge End Southampton Hampshire. SO30 2DF 0845 600 5111 Fax. 01489 773053 customer.services@glendimplex.com</p>	<p><b>ES</b></p>	<p>Glen Dimplex España S.L. C/ Bailén, 20. 4º, 2ª e-08010 BARCELONA (+34) 93.238.61.59 Fax. (+34) 932384375</p>																
<p><b>IT</b></p>	<p>Glen-Dimplex Italia S.r.l. via delle Rose 7, 24040 Ialio (BG) 035-201042 Fax 035-200492 info@glendimplex.it</p>	<p><b>AU</b></p>	<p>Glen Dimplex Australia PTY Ltd Unit 2, 205 Abbotts Road Dandenong Melbourne Victoria 3175 Australia +61 3 87873567 Fax. +61 3 87873570 salesgd@glendimplex.com.au</p>																
<p><b>NZ</b></p>	<p>Glen Dimplex Australasia 38 Harris Road East Tamaki Auckland New Zealand +64 9 274 8265 Fax. +64 9 274 8472 sales@glendimplex.co.nz</p>																		

**UK / AU / NZ**

1. Warranty Card
2. Guarantee Period (in Years)
3. Model(s)
4. Date of Purchase
5. Stamp & Signature of retailer
6. Fault/Defect
7. Contact Number & Address

**DE**

1. Garantiekarte
2. Garantiezeitraum (in Jahre)
3. Modell(e)
4. Kaufdatum
5. Stempel & Unterschrift des Einzelhändlers
6. Fehler/Defekt
7. Kontakt-Tel.-Nr. & - Anschrift

**FR**

1. Bon de garantie
2. Période de garantie (en années)
3. Modèle(s)
4. Date d'achat
5. Cachet et signature du vendeur
6. Anomalie/Defaut
7. Nom et adresse du contact

**IT**

1. Scheda di garanzia
2. Periodo di garanzia (in anni)
3. Modello(i)
4. Data di acquisto
5. Timbro e firma del rivenditore
6. Guasto/difetto
7. Indirizzo e numero di contatto

**ES**

1. Tarjeta de garantía
2. Periodo de garantía (en años)
3. Modelo(s)
4. Fecha de adquisición
5. Sello y firma del distribuidor
6. Avería/Defecto
7. Número y dirección de contacto

**UA**

1. Гарантійний формуляр
2. Строк гарантії (років)
3. Модель(-і)
4. Дата придбання
5. Штамп і підпис дилера
6. Дефект
7. Контактна адреса та телефон

**RU**

1. Гарантийный формуляр
2. Срок гарантии (лет)
3. Модель(-и)
4. Дата приобретения
5. Печать и подпись Дилера
6. Дефект
7. Контактный адрес и телефон

**PO**

1. Karta Gwarancyjna
2. Okres gwarancji (w latach)
3. Model(e)
4. Data Zakupu
5. Pieczęta i podpis sprzedającego
6. Wada/ uszkodzenie
7. Numer telefonu i adres kontaktowy w IT